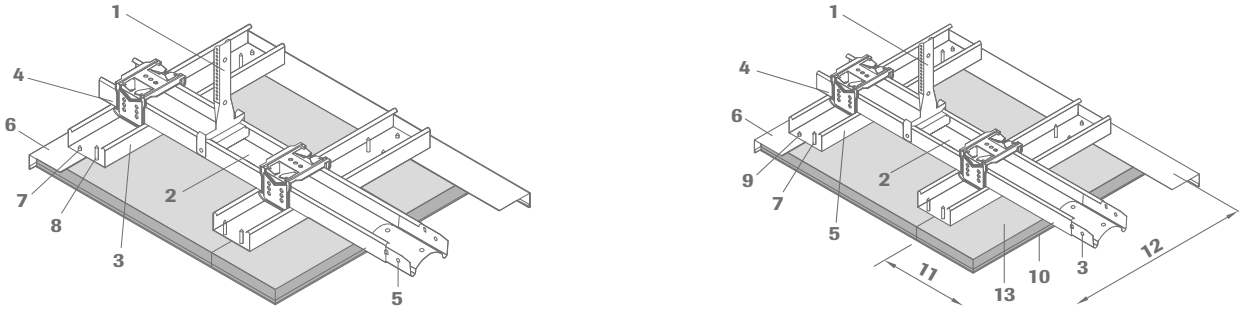
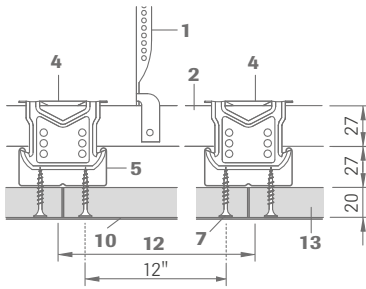


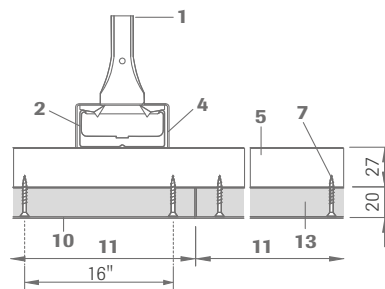
S7



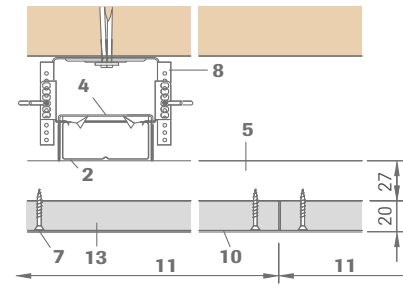
Section:



Cross section:



Direct fixing:



S7 – suspension system

Product no.	Product/component description	Units/pack
1	2001*1 Lower nonius hanger for primary CD profile 2 3/16" x 1" nom., length: 5', maximum load: 0.40 kN, zinc galvanized	100 pieces
	76 Safety pin for Nonius hanger, length: approx. 2 3/4", thickness: 0.118", zinc galvanized	100 pieces
	2002 Adjustable direct hanger, adjustment range: 1" - 3" nom., zinc galvanized, incl. 2 safety pins	100 pieces
2	2003 Primary CD profile 2 3/16" x 1" nom., length: 13', support grid spacing 39"	12 pieces
3	2003 Primary CD profile 2 3/16" x 1" nom., length: 13', support grid spacing 16"	12 pieces
4	2004 Cross connector, height: 1 9/16", width: 2 3/16", depth: 1 3/4" nom., zinc galvanized	100 pieces
5	2005 CD profile connector, height: 1" nom., width: 2 3/16", length: 3 1/8", zinc galvanized	100 pieces
6	51/22 Wall angle, height: 2" nom., width: 7/8", thickness: 0.028", length: 10' nom., visible side: white	10 pieces
	51/22-0 Curved wall profile, column half-ring (see brochure no. 9670 curved wall profiles)	bulk-packed
7	2024 Screws for no. 51/22	100 pieces
8	2019 Plate screw	500 pieces
	8031/9 Comfort access trap for OWAplan ceilings 13 3/16" x 13 3/16" (external dimension), without OWAplan-plate/RAW-plate Attention: additional suspension required (see OWAplan Comfort access trap installation guide)	bulk-packed
	8031/10 Comfort access trap for OWAplan ceilings 21 1/4" x 21 1/4" (external dimension), without OWAplan-plate/RAW-plate Attention: additional suspension required (see OWAplan Comfort access trap installation guide)	bulk-packed
	8069/6 Pattress for OWAplan/RAW consisting of frame components (2 pieces), length: 13 3/16"	bulk-packed
	4437 Fire resistant tape 1/2" x 1/16" nom. (where fire resistance is required)	1" roll