



# Clip-in, swing down system

Square tiles and planks

OWAtecta – metal ceilings

**OWA**









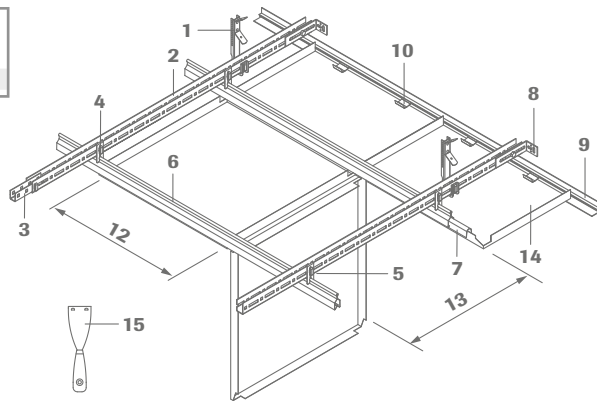
## System S 32/S 32 L

### OWAtecta

The rear mounting design and clip-in profiles of the S 32 / S 32 L system, from the OWAtecta range, enables it to conceal building services installations while creating an attractive continuous ceiling structure with a timeless metal look. For all necessary inspection work, the metal tiles can simply be opened downwards using an unclip tool. The system is available in both perforated and unperforated versions. Various luminaires can be integrated, depending on the concept and task area. Developers get a functional ceiling system that meets the demanding acoustic, hygienic and visual requirements of modern building projects.

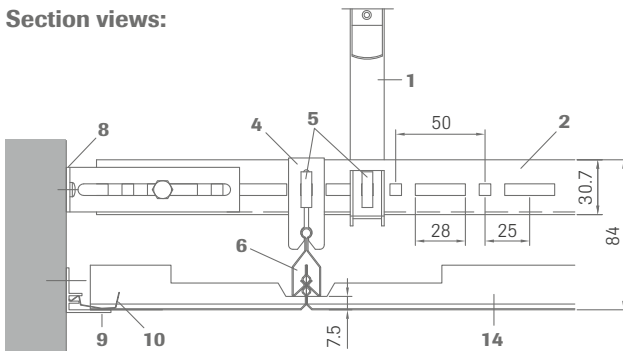
## System S 32 | Concealed, swing down or removable

### Square tiles

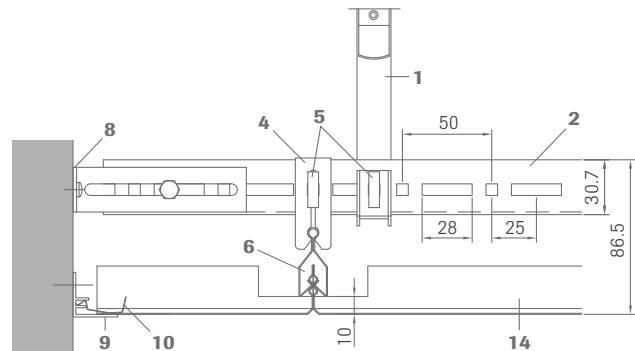


- 1 Hanger no. 1782E, hanger extension (nonius) no. 16/... + safety pin no. 76 (double)
- 2 U profile no. 70E
- 3 Connector no. 77E
- 4 Hanger no. 11E
- 5 Safety clip no. 66E
- 6 Clip-in profile no. 87B
- 7 Connector no. 88E
- 8 Wall anchor no. 75E
- 9 F wall angle no. 50F
- 10 Wall spring clip no. 5220
- 11 Direct hanger no. 09E87
- 12 Tile width
- 13 Tile length
- 14 Metal tile
- 15 Unclip tool no. 99006

### Section views:

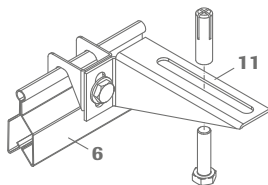


Showing tile edge 01

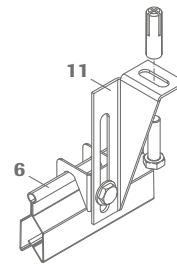


Showing tile edge 02

### Direct mounting:



Installation height up to the lower edge of the ceiling tiles  
55 – 62 mm  
Horizontal shift approx.  
+/- 25 mm



Installation height up to the lower edge of the ceiling tiles  
88 – 117 mm  
Horizontal shift approx.  
+/- 5 mm

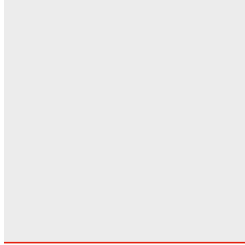
### Technical data

<b>Dimensions</b>	600 x 600 mm, 625 x 625 mm
<b>Material</b>	Galvanised sheet steel, perforated versions with glued-in black acoustic fleece
<b>Colour</b>	White (similar to RAL 9003) / other RAL colours on request
<b>Fire behaviour</b>	A2-s1,d0 in accordance with EN 13501-1
<b>Edge</b>	01 = installation height 7.5 mm or 02 = installation height 10 mm (bevelled edge)
<b>Thickness</b>	Approx. 0.5 - 0.6 mm (depending on size)
<b>Metal system</b>	All metal parts galvanised or additionally coated white
<b>Minimum suspension depth</b>	Suspended installation approx. 220 mm Direct mounting approx. 55 – 62 or 88 – 117 mm

## Perforations:



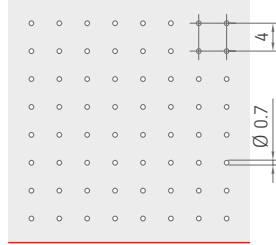
$\alpha_w = 0.05$  | NRC = 0.05



### L0 un-perforated



$\alpha_w = 0.55$  | NRC = 0.55

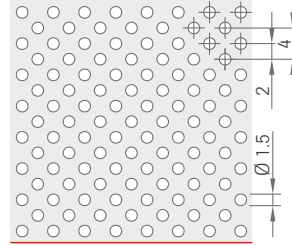


### Rg0702

Ø 0.7 mm  
2 % open area



$\alpha_w = 0.70$  | NRC = 0.70

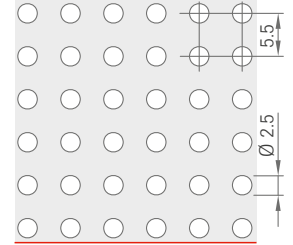


### Rd1522

Ø 1.5 mm  
22 % open area



$\alpha_w = 0.80$  | NRC = 0.75

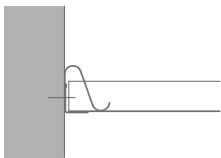


### Rg2516

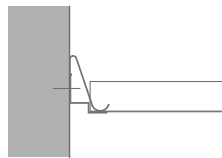
Ø 2.5 mm  
16 % open area

For other perforations, see [publication 9391 e](#).

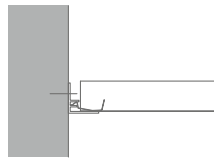
## Wall trim:



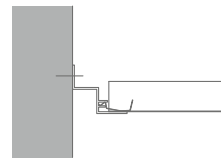
Wall angle  
**No. 50G**  
steel, visible face white  
+ wall spring no. 99009



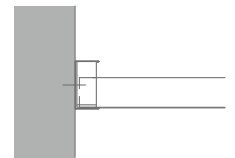
Shadow wall angle  
**No. 50/15**  
steel, visible face white  
+ wall spring no. 99010



F wall angle  
**No. 50F**  
aluminium, visible face white  
+ wall spring no. 5220



F shadow wall angle  
**No. 5620F**  
aluminium, visible face white  
+ wall spring no. 5220



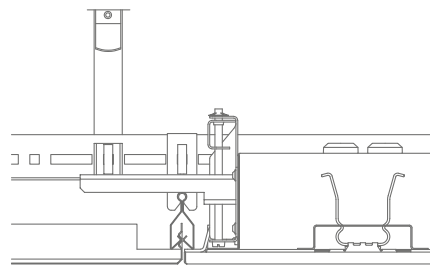
C wall angle  
**No. 57**  
steel, visible face white  
+ wall spring no. 5210

Plates that rest on a wall profile or other angle can not be folded down. There are at least 3 plates for this required per laying row. For more perimeter options please consult [OWAtecta Installation Guide 9303 e](#).

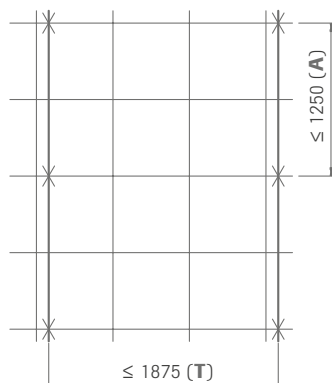
## Integrated lighting:

OWA supplies suitable integrated lighting for this system.

For details about integrating lighting, see [OWA-brochure 9630 e](#) and [OWAtecta Installation Guide 9303 e](#).



**Installation example:**  
625 x 625 mm module



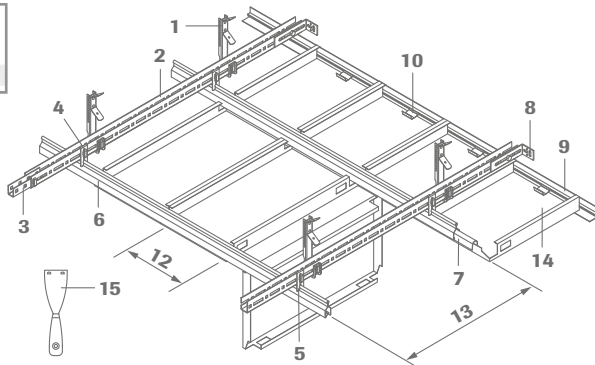
Tile length ≤	Main tee spacing T ≤	Hanger spacing A ≤
600 mm	1875 mm	1200 mm
625 mm	1875 mm	1250 mm

The hangers must be placed at the intersection of the support profile and the clip-in profile and must not be installed further than 100 mm away from that point.

For more information, see [OWAtecta Installation Guide 9303 e](#).

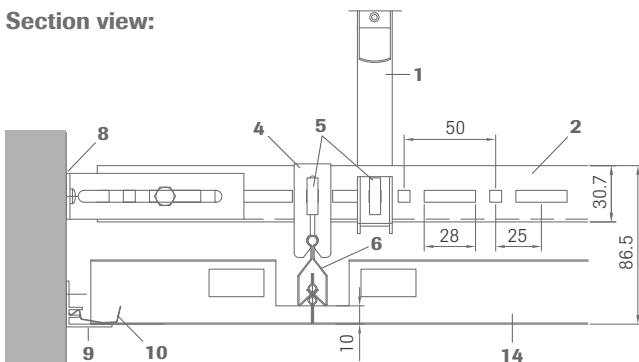
# System S 32 L | Concealed, swing down or removable

## Rectangular tiles



- 1 Hanger no. 1782E, hanger extension (nonius) no. 16/...  
+ safety pin no. 76 (double)
- 2 U profile no. 70E
- 3 Connector no. 77E
- 4 Hanger no. 11E
- 5 Safety clip no. 66E
- 6 Clip-in profile no. 87B
- 7 Connector no. 88E
- 8 Wall anchor no. 75E
- 9 F wall angle no. 50F
- 10 Wall spring clip no. 5220
- 11 Direct hanger no. 09E87
- 12 Tile width
- 13 Tile length
- 14 Metal tiles
- 15 Unclip tool no. 99006

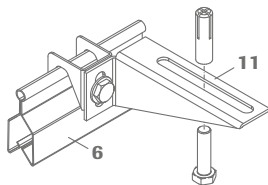
### Section view:



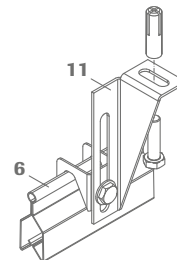
### Swinging the tiles down:

Rectangular tiles are opened downwards along the long edge.

### Direct mounting:



Installation height up to the lower edge of the ceiling tiles  
55 – 62 mm  
Horizontal shift approx.  
+/- 25 mm



Installation height up to the lower edge of the ceiling tiles  
88 – 117 mm  
Horizontal shift approx.  
+/- 5 mm

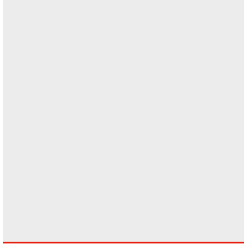
## Technical data

<b>Dimensions</b>	Widths: 250 - 625 mm lengths: 600 - 2500 mm	In stock: 2000 x 312.5 mm
<b>Material</b>	Galvanised sheet steel, perforated versions with bonded black acoustic fleece	
<b>Colour</b>	White (similar to RAL 9003) / other RAL colours on request	
<b>Fire behaviour</b>	A2-s1,d0 in accordance with EN 13501-1	
<b>Edges</b>	Long edge: 10      Short edge: 02s	
<b>Thickness</b>	Approx. 0.5-0.7 mm (depending on size)	
<b>Metal system</b>	All metal parts galvanised or additionally coated white	
<b>Minimum suspension depth</b>	Suspended installation approx. 220 mm Direct mounting approx. 55 – 62 or 88 – 117 mm	

## Perforations:



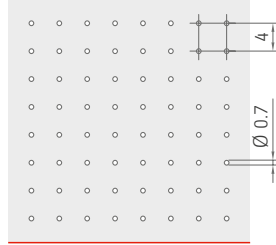
$\alpha_w = 0.05$  | NRC = 0.05



**L0 un-perforated**



$\alpha_w = 0.55$  | NRC = 0.55

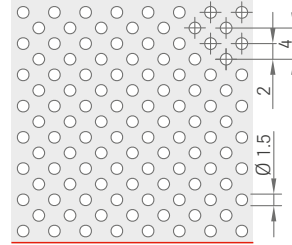


**Rg0702**

Ø 0.7 mm  
2 % open area



$\alpha_w = 0.70$  | NRC = 0.70

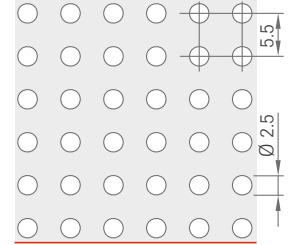


**Rd1522**

Ø 1.5 mm  
22 % open area



$\alpha_w = 0.80$  | NRC = 0.75

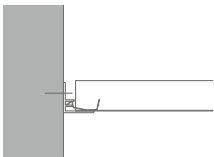


**Rg2516**

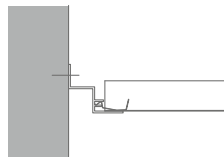
Ø 2.5 mm  
16 % open area

For other perforations, see [publication 9391 e](#).

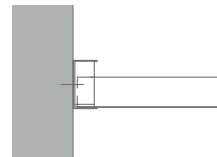
## Wall trim:



F wall angle **no. 50F**  
Aluminium, visible side white  
+ wall spring clip no. 5220



F shadow wall angle **no. 5620F**  
Aluminium, visible side white  
+ wall spring clip no. 5220

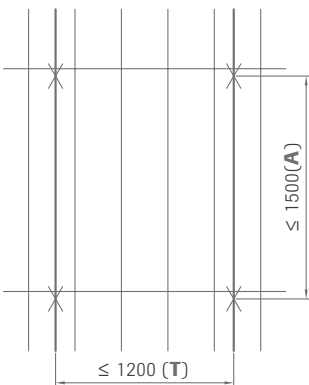


C wall angle **No. 57**  
steel, visible face white  
+ wall spring no. 5210

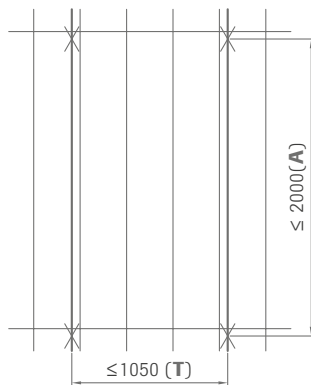
Tiles that rest on a wall profile or other bracket cannot be opened downwards. For this, at least 3 tiles per row are necessary. For further wall trims and installation details, see [OWAtecta Installation Guide 9303 e](#).

## Installation example:

1500 x 312.5 mm module



2000 x 312.5 mm module



Tile length ≤	Main tee spacing T ≤	Hanger spacing A ≤
600 mm	1875 mm	1200 mm
625 mm	1875 mm	1250 mm
1250 mm	1350 mm	1250 mm
1500 mm	1200 mm	1500 mm
2000 mm	1050 mm	2000 mm
2500 mm	850 mm	2000 mm

The hangers must be placed at the intersection of the support profile and the clip-in profile and must not be installed further than 100 mm away from that point. The maximum distance of the hangers is thus dependent on the length of the planks, but may not exceed a distance of 2000 mm.

For more information, see [OWAtecta Installation Guide 9303 e](#).



## Material needed per m<sup>2</sup> (indicative value):

tile dimensions in mm

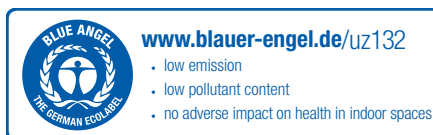
No.	Description	600 x 600	625 x 625	1500 x 312.5	2000 x 312.5
1782E	Hanger	0.5 pce	0.5 pce	0.6 pce	0.5 pce
16/...	Hanger extension	0.5 pce	0.5 pce	0.6 pce	0.5 pce
76	Safety pin	1.0 pce	1.0 pce	1.2 pce	1.0 pce
70E	U profile	0.55 m	0.55 m	0.83 m	0.95 m
11E	Hanger	0.9 pce	0.9 pce	0.6 pce	0.5 pce
87B	Clip-in profile	1.67 m	1.6 m	0.67 m	0.5 m
88E	Connector	0.42 pce	0.4 pce	0.17 pce	0.13 pce
77E	Connector	0.15 pce	0.15 pce	0.22 pce	0.25 pce
66E	Safety clip	1.4 pcs	1.4 pcs	1.2 pcs	1 pce
50F	F wall angle		Dependent on room size and shape		
5220	Wall spring clip		Dependent on room size and shape		
75E	Wall anchor		Dependent on room size and shape		

## Weight per m<sup>2</sup>:

	600 x 600	625 x 625	1500 x 312.5	2000 x 312.5
Suspension system approx.	1.36 kg/m <sup>2</sup>	1.33 kg/m <sup>2</sup>	1.11 kg/m <sup>2</sup>	1.12 kg/m <sup>2</sup>
Unperforated tile approx.	5.65 kg/m <sup>2</sup>	5.6 kg/m <sup>2</sup>	6.42 kg/m <sup>2</sup>	7.44 kg/m <sup>2</sup>

## Blue Angel

These products meet the Ecolabel requirements for „Low-emission thermal insulation and ceiling products designed for use in buildings, RAL UZ 132“ (October 2010 edition).



In clinical and hygienic-sensitive areas:  
surface un-perforated (L0)



## VOC emissions OWA tecta metal ceiling tiles

Appropriate for use in indoor spaces in accordance with the AgBB and the „approval principles regarding health assessments of construction products in indoor spaces“.

Please refer to [OWA brochure 9398 e](#) and [OWA tecta Installation Guide 9303 e](#) for recommendations regarding classification and versions.

## System description: concealed, swing down OWAconstruct system S 32/S 32L (clip-in system)

### Quality requirements:

OWA tecta clip-in tiles are manufactured from galvanized street steel, available as un-perforated or perforated with bonded acoustic fleece, visible face powder coated. Regarding material characteristics, size and colour accuracy we follow our quality guidelines, which are on par with TAIM-guidelines (Association of Industrial Metal Ceiling Manufactureres) as well as EN 13964.

## Product warranties

The information provided in this leaflet is based on the standards and data available at the time of publication. Any performance, warranties or guarantees provided, expressed or implied, are subject to the exclusive use of OWA components and the installation of those components in accordance with our recommendations. Failure to adhere to these conditions will result in the invalidation of any performance claims, warranties or guarantees and rejection of any liability. OWA reserves the right to make any technical improvements to the products, systems or services without prior notice. **All goods and services are supplied in accordance with our current Terms and Conditions of Sale.** Errors excepted!

The information in this brochure is up-to-date at the time of publication. Subject to alterations. Please contact our competence team OWAconsult for specific advice. Our experts will be happy to answer your questions under the following contact details: tel: +49 9373 201-444 or e-mail: [info@owaconsult.de](mailto:info@owaconsult.de)

# OWA

## Odenwald Faserplattenwerk GmbH

Dr.-F.-A.-Freundt-Straße 3 | 63916 Amorbach | Germany  
tel +49 9373 201-0 | [info@owa.de](mailto:info@owa.de)  
[www.owa-ceilings.com](http://www.owa-ceilings.com)