

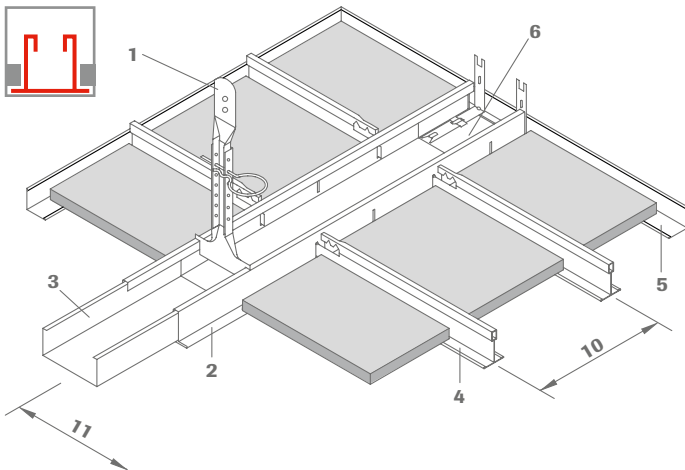


Bandura, demountable

OWAlifetime collection

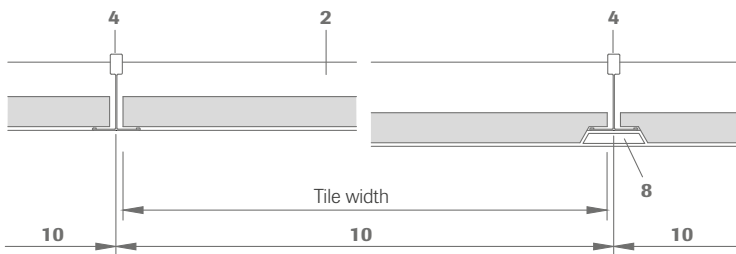
OWA

System S 18d | Bandura, demountable



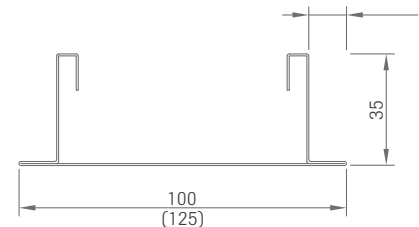
- 1 Nonius hanger no. 79/..., nonius hanger extension no. 16/... and safety pin no. 76
- 2 Bandraستر profile no. 80/..., slotted on both sides
- 3 Connector no. 82/...G
- 4 Cross tee no. 47/4S
- 5 Wall angle no. 51/25 (edge 3) or no. 50/22 (edge 6)
- 6 Wall anchor no. 75/...G
- 7 Shadow wall angle no. 50/15G or no. 50/22 (edge 6)
- 8 Contura block no. 42/24 (edge 6)
- 9 Contura block no. 42/100 or no. 42/125 (edge 6)
- 10 Cross tee module size
- 11 Bandraستر module size

Cross-section:

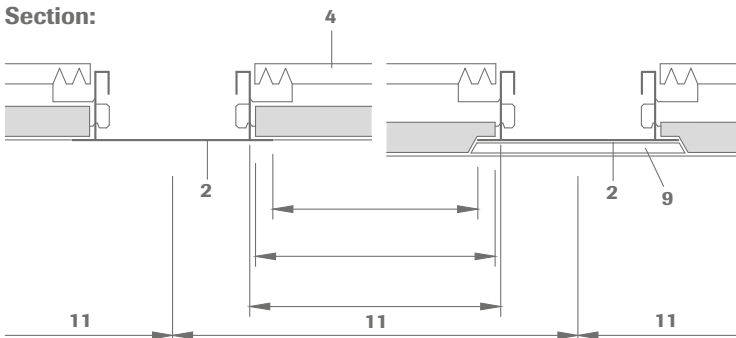


Section dimensions:

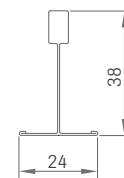
No. 80/100 or 80/125



Section:



No. 47/4S



Technical data | mineral tiles

Dimensions

Width: 300 mm, 312.5 mm, 400 mm | Lengths: 1200 mm, 1250 mm, 2000* mm, 2500* mm
1200 x 600 mm | 1250 x 625 mm

Other sizes available on request. Subject to minimum quantities and surcharges. See OWAlifetime collection price list.
* Only conditionally demountable

Edge details



Thickness

Approx. 15 mm and 20 mm (OWAcoustic premium)

Reaction to fire

A2-s1,d0 in accordance with EN 13501-1

Resistance to fire

See brochure nr. 9500 eu e

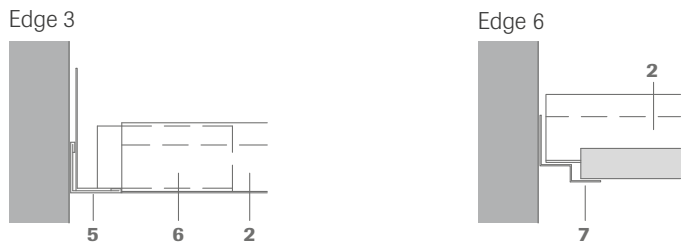
Metal suspensions

All metal components listed are galvanized steel or white coated galvanized steel respectively. For further details and colours please consult OWAlifetime collection price list.

Suspension depth

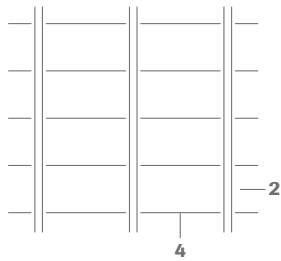
100 mm (depending on the existing structural ceiling) for ease of panel removal 130 mm is recommended. If the suspension depth is less than 150 mm the nonius hanger no. 79/... has to be shortened on site.

Wall perimeter:

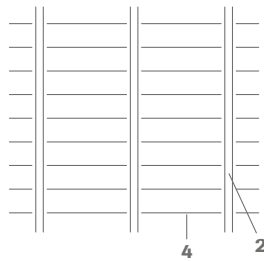


Other wall connection options and installation details can be found in OWA-Installation Guide no. 9801 e.

Installation examples:



Module ≤ 1250 x 625 mm



Module ≤ 2500 x 400 mm

Section span widths for cross tees no. 47/4S (with double-sided nose)

material thickness 0.4 mm

Cross tee module size	Span widths	
< 312.5 mm	2000 mm	Span widths for OWAacoustic premium tile 15 mm
< 400 mm	1900 mm	Span widths for OWAacoustic premium tile 15 mm
< 625 mm	1700 mm	Span widths for OWAacoustic premium tile 15 mm
< 312.5 mm	1900 mm	Span widths for OWAacoustic premium tile 20 mm
< 400 mm	1800 mm	Span widths for OWAacoustic premium tile 20 mm
< 625 mm	1600 mm	Span widths for OWAacoustic premium tile 20 mm

Calculation note:

The precise panel sizes **between bandraster sections** are calculated as follows:

- edge 3: clear dimension between the sections + 20 mm
- edge 6: clear dimension between the sections + 18 mm

The precise panel dimension **between cross tees** is calculated as follows:

spacing of the cross tees – 6 mm (in the case of edge 6 and edge 3 identical).

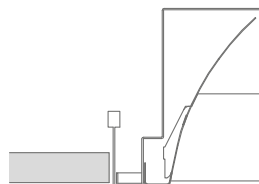
The precise length and order dimensions of the cross tees **no. 47/4S** is calculated:

clear dimension between the bandraster sections + 24 mm.

Light fixtures:

OWA can supply compatible light fixtures for this system.

For details of performance, installation and fire resistance please see OWA-brochure no. 9630 e and OWA-Installation Guide no. 9801 e.



Material requirements for bandraster profiles per m², visible side 100 mm (approximations):

No.	Description	Bandraster module size						1276 mm*	1326 mm*
		1200 mm	1250 mm	1500 mm	1800 mm	2000 mm			
80/100	Bandraster profile, slit	0.83 m	0.8 m	0.7 m	0.6 m	0.5 m	0.8 m	0.75 m	
79/100	Nonius hanger	0.7 pce	0.7 pce	0.7 pce	0.7 pce	0.7 pce	0.7 pce	0.7 pce	
16/...	Nonius hanger extension	0.7 pce	0.7 pce	0.7 pce	0.7 pce	0.7 pce	0.7 pce	0.7 pce	
76	Safety pin	0.7 pce	0.7 pce	0.7 pce	0.7 pce	0.7 pce	0.7 pce	0.7 pce	
82/100G	Connector	0.3 pce	0.3 pce	0.2 pce	0.2 pce	0.2 pce	0.2 pce	0.2 pce	
51/25, 50/15G	Wall angle	Quantity according to need, depending on room size and shape							
75/100G	Wall anchor	Quantity according to need, depending on room size and shape							
42/24	Contura block	Quantity according to need, depending on room size and shape							
42/100	Contura block	Quantity according to need, depending on room size and shape							

* When using cross tee no. 47WST, stock item

No.	Description	Cross tee module size				
		300 mm	312.5 mm	400 mm	600 mm	625 mm
47/4S	Cross tee, 24 mm wide	3.3 m	3.2 m	2.5 m	1.7 m	1.6 m

Weights:

Description	Weight
Cross tee no. 47/4S	0.363 kg/m
Bandraster profile no. 80/100	1.034 kg/m
Tiles 15 mm, A2-s1,d0	4.5 kg/m ²
Tiles 20 mm, A2-s1,d0	6.0 kg/m ²

System description:

OWAconstruct bandraster system S 18d (Bandura)

Quality requirements for mineral tiles:

OWAacoustic mineral tiles firmly bound with a primer coat on both sides. The tile is free from asbestos. No formaldehyde is added in the manufacturing process of the mineral tiles. The mineral wool used for the manufacture of the tile is bio-soluble. The criteria for non-classification as a carcinogenic substance in accordance with the Chemicals Prohibition Ordinance (Section 1 Appendix, Paragraph 23 biopersistent fibres) are met and guaranteed by the „RAL seal of approval for mineral wool“. Verification of fitness for use according to EU CPR: CE marking and Declaration of Performance (DoP).

Mineral tiles accordance with EN 13964 and DIN 18177.

Air permeability class PM 1
Formaldehyde class FH 1
Emission of VOC TVOC 1

Installation should be carried out in accordance with the information contained in system leaflet S 18d and OWA-Installation Guide no. 9801 e. All components are CE labelled.

Component list:

OWAconstruct nonius hanger no. 79/100 or no. 79/125
OWAconstruct Bandraster profile no. 80/100 or no. 80/125 (module size max. 2500 mm)
OWAconstruct connector no. 82/100G or no. 82/125G
OWAconstruct cross tee no. 47/4S (module size max. 625 mm, span widths max. 1250 - 2000 mm, depending on tile width. Suspend larger span widths additionally.)
OWAconstruct cross tee no. 47WST (length 1200 mm, 1250 mm)
OWAconstruct wall angle no. 51/25 or no. 50/15G
OWAconstruct wall anchor no. 75/100G or no. 75/125G
OWAconstruct Contura block no. 42/24, no. 42/100 or no. 42/125

Product Warranties

The information provided in this leaflet is based on the standards and data available at the time of publication. Any performance, warranties or guarantees provided, expressed or implied, are subject to the exclusive use of OWA components and the installation of those components in accordance with our recommendations. Failure to adhere to these conditions will result in the invalidation of any performance claims, warranties or guarantees and rejection of any liability. OWA reserves the right to make any technical improvements to the products, systems or services without prior notice. **All goods and services are supplied in accordance with our current Terms and Conditions of Sale.** Errors excepted!



Odenwald Faserplattenwerk GmbH

Dr.-F.-A.-Freundt-Straße 3 | 63916 Amorbach | Germany
tel +49 93 73.2 01-0 | info@owa.de
www.owa-ceilings.com