



Designer ceilings | Canopies
OWAconsult collection

www.owa-ceilings.co.uk

Content

- 04 | Free design for high expectation
- 06 | Advantages of OWA ceiling canopies at a glance
- 22 | OWAconsult collection product world
- 24 | Ceiling canopy – Selecta
- 36 | Ceiling canopy – Selecta Metal
- 42 | Ceiling canopy – Curve
- 52 | Ceiling canopy – FreeStyle baffles with wire suspension
- 60 | Ceiling canopy – FreeStyle baffles with system S 3
- 68 | Ceiling canopy – Corpus
- 78 | Ceiling canopy – Cloud
- 86 | Ceiling canopy – Square
- 94 | Sound absorption figures overview
- 99 | Fabric samples of the OWAcolor world of colours

Free design for high expectations.

OWAconsult collection | Ceiling canopies

More freedom, openness and creativity in ceiling design. With the ceiling canopies in the OWAconsult collection, we have produced a creative modular system that opens up brand-new opportunities for tailored ceiling creations. It allows unprecedented design freedom, using unique arrangements to bring individual surfaces to life. The range includes the latest LED technology for lighting modules, showing off our ceilings in a brand new light and enhancing the modular systems. Together with renowned designer Hadi Teherani, we have created ceiling concepts that shape our industry and set new standards. To ensure a trouble free installation, you can also call upon the help of our OWAconsult specialists who are there to provide assistance every step of the way through your project, from design to completion, from concept to reality.





Excellent acoustics.

Variable fixing points.

Expressive design.

Our OWA brand is synonymous with high-quality ceiling systems that combine design and functionality in a unique way. With OWA ceiling canopies, you will enjoy many benefits that ensure more comfort and wellbeing.



Advantages of OWA ceiling canopies at a glance:

- Great acoustic effectiveness
- Individual dimensions for more flexibility
- Attractive appearance thanks to fleece covered exposed edges
- Various installation options to choose from
- Simple installation with suspension points on the back
- Large choice of dimensions and colours
- Elaborate packaging for increased protection

We will be happy to offer you individual solutions for your projects. Our team of experts is looking forward to hearing from you! Simply contact us at: enquiries@owa-ceilings.co.uk



Great acoustic effectiveness

With their strong acoustic performance, our ceiling canopies are especially recommended for acoustic optimisation in existing buildings. Our variety of shapes and dimensions offers the ideal conditions for the individual design of open ceiling landscapes. The individual elements are acoustic and, therefore, especially effective because all of the surfaces - not just the front faces - effectively contribute to sound absorption.



PRODUCT: Ceiling canopy – Corpus
PROJECT: Beckhoff Automation
REGION: Verl, Germany

Our multiple international award-winning product design offers excellent acoustic performance in an expressive design. The basis for this is a modular system comprising of ten differently sized rectangular or square acoustic elements. The superfine fleece covered surfaces provide almost limitless combination options.

Cubic LED elements provide even more variety.*



* Availability depending on region. For details please contact our Customer Service Team:
Tel: +49 9373 201-0 | E-mail: info@owa.de



Individual lengths for more flexibility

The optional Cloud LED lighting package brings atmospheric lighting effects into the room.*



* Availability depending on region. For details please contact our Customer Service Team: Tel: +49 9373 201-0 | E-mail: info@owa.de



PRODUCT: Ceiling canopy – Cloud
PROJECT: Hotel Mercure Poznań
REGION: Poznań, Poland

Our Cloud and Square ceiling modules can always be combined with new, attractive ceiling landscapes and can be illuminated with workplace lamps or other lighting elements.



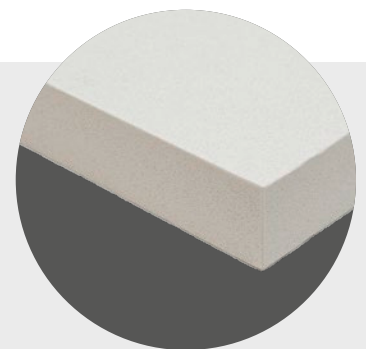
PRODUCT: Ceiling canopy – FreeStyle baffles with wire suspension
PROJECT: OFFICE BUILDING
REGION: Braunschweig, Germany

Every element is packaged individually to give optimum protection to the high-quality surfaces during transit.



Attractive appearance thanks to fleece covered exposed edges

The visible surfaces of the OWAconsult ceiling canopies including the sides are covered with fleece. This not only enhances the aesthetics, but also helps to improve the sound protection.





Various installation options to choose from

Whether in matching colours and different lengths, fastened to the ceiling or as wall absorbers, attractive interior design is achieved thanks to the various installation options.



PRODUCT: FreeStyle baffles
PROJECT: BakerHicks
REGION: Holytown, Motherwell, Scotland

Unique interior landscapes can be created with our FreeStyle wall absorbers. In various sizes and shapes, you can convert any wall in a room into a 3D surface and thus create a “moving” spatial experience in the true sense of the phrase. We will be happy to offer you individual solutions for your projects here, too. You can find more information on this in our [leaflet 1587 e](#).



PRODUCT: Ceiling canopy – Selecta loop
PROJECT: Volksbank Kurpfalz
REGION: Heidelberg, Germany



Simple installation with suspension points on the back

For simple and secure affixing of the product to be installed, our ceiling canopies have labelling on the back. With Selecta and Curve, you can choose between affixing using a set of wires or direct mounting using hanger brackets. You can find more information about this on page 34 and page 50.



Large choice of sizes and colours

So that individual customer wishes can be met, we provide a large selection of colours and shapes. More information about the OWAcolor world can be found on page 99. Feel free to contact us directly about this.



PRODUCT: Ceiling canopy – Selecta loop
PROJECT: Quellenhof Luxury Resort Passeier
REGION: St. Martin, South Tyrol

Our consulting team will be happy to support you in the planning of your building project. This includes determining materials and quantities, drawing up installation plans and calculating reverberation times. Special dimensions and special sizes are available as an additional service.



PRODUCT: Ceiling canopy – Selecta special solutions

PROJECT: Dupont

REGION: Mexico City, Mexico



Special solutions

Special formats solutions are a matter of course for us. Our team in technical consultation will be happy to give you information about the options for your individual building project.

PRODUCT: Ceiling canopy – Cloud
PROJECT: Dr. Kade
REGION: Berlin, Germany

Recipient of an international award for outstanding design.

OWAconsult collection product world

Our versatile product range proves that it is not just the optimal functionality of our state-of-the-art ceiling systems that wins customers over. We develop design-oriented solutions that meet the highest expectations of contemporary interior design. The prizes and awards listed below confirm our commitment and motivate us to continue to innovate.







PRODUCT: Ceiling canopy – Selecta loop

PROJECT: IHO Espacios

REGION: Costa Rica, America

Ceiling canopy **Selecta**

Geometry of the exclusive Selecta

Are you design conscious and do you make strong acoustic demands of your working environment? Then choose Selecta, an exclusive range of lightweight glass wool absorbers with impressive acoustic performance. There is a choice of seven distinctive, white fleece covered basic shapes. The various sized canopies are hung with steel wires and secured with ceiling fixings. Selecta offers many creative acoustic solutions for practically every interior environment.



Ceiling canopy – Selecta



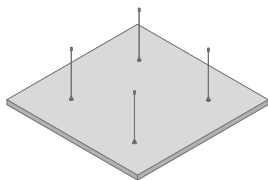
PRODUCT: Ceiling canopy – Selecta grande

PROJECT: Architonic

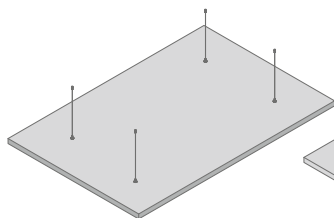
REGION: Berlin, Germany

Selecta one, plus, grande, grande XL, loop, concav, convex

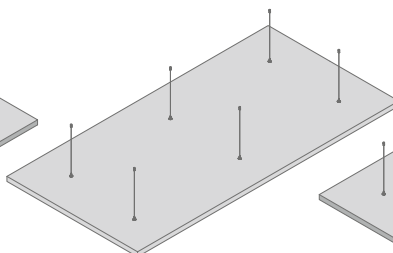
Selecta one
white fleece



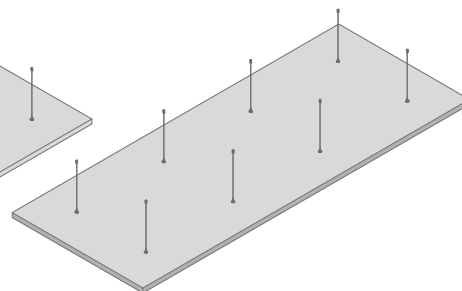
Selecta plus
white fleece



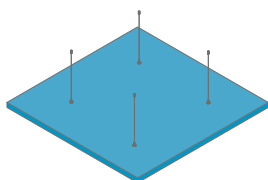
Selecta grande
white fleece



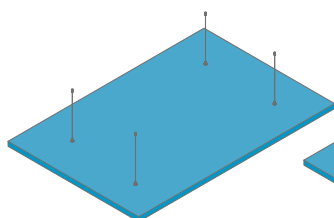
Selecta grande XL
white fleece



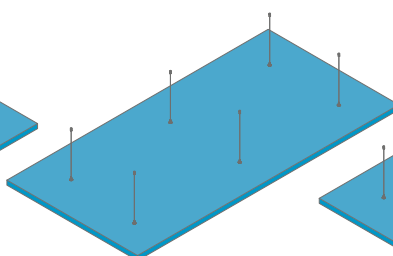
Selecta one
coloured fabric



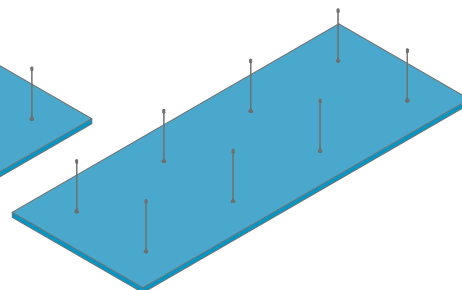
Selecta plus
coloured fabric



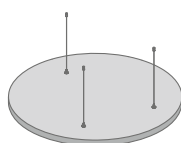
Selecta grande
coloured fabric



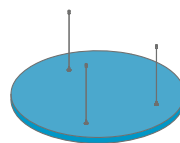
Selecta grande XL
coloured fabric



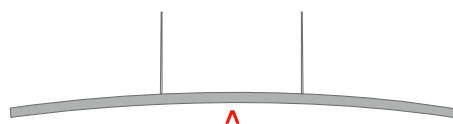
Selecta loop
white fleece



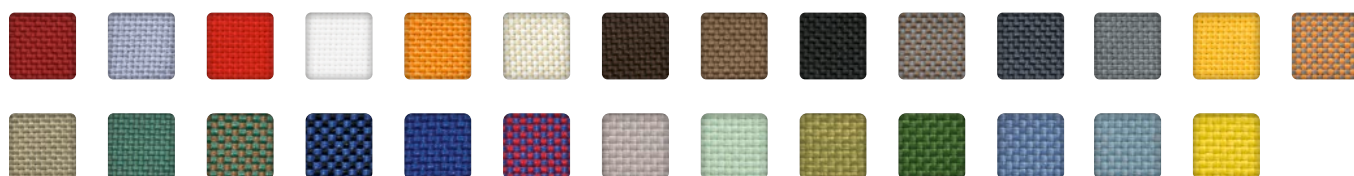
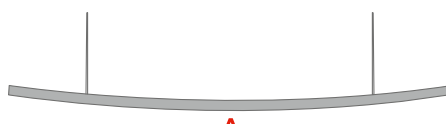
Selecta loop
coloured fabric



Selecta concav
white fleece



Selecta convex
white fleece



For more information of the OWAcolor world of colours see page 99.

For more information on articles and prices, please see the [OWAconsult collection price list 1001 e.](#)

Selecta one, plus, grande, grande XL, loop, concav, convex

Selecta one, plus, grande

	Length	Width	Thickness	Visible side	Weight	Part no.
Selecta one	1200 mm	1200 mm	40 mm	white fleece	approx. 6.2 kg	00074782
Selecta one	1200 mm	1200 mm	40 mm	coloured fabric	approx. 6.2 kg	on request
Selecta plus	1800 mm	1200 mm	40 mm	white fleece	approx. 9.3 kg	00074783
Selecta plus	1800 mm	1200 mm	40 mm	coloured fabric	approx. 9.3 kg	on request
Selecta grande	2400 mm	1200 mm	40 mm	white fleece	approx. 12.4 kg	00074780
Selecta grande	2400 mm	1200 mm	40 mm	coloured fabric	approx. 12.4 kg	on request
Selecta grande XL	3000 mm	1200 mm	40 mm	white fleece	approx. 15.5 kg	00092154
Selecta grande XL	3000 mm	1200 mm	40 mm	coloured fabric	approx. 15.5 kg	on request

The price includes the installation set. | Packing unit for all canopies: 1 piece per parcel

Selecta loop

	Diameter	Thickness	Visible side	Weight	Part no.
Selecta loop	Ø 800 mm	40 mm	white fleece	approx. 2.2 kg	00077120
Selecta loop	Ø 800 mm	40 mm	coloured fabric	approx. 2.2 kg	on request
Selecta loop	Ø 1000 mm	40 mm	white fleece	approx. 3.4 kg	00077180
Selecta loop	Ø 1000 mm	40 mm	coloured fabric	approx. 3.4 kg	on request
Selecta loop	Ø 1200 mm	40 mm	white fleece	approx. 4.9 kg	00074781
Selecta loop	Ø 1200 mm	40 mm	coloured fabric	approx. 4.9 kg	on request

The price includes the installation set. | Packing unit for all canopies: 1 piece per parcel

Selecta concav and convex white fleece

	Length	Width	Thickness	Visible side	Weight	Part no.
Selecta concav	1200 mm	1200 mm	40 mm	white fleece	approx. 6.2 kg	00076262
Selecta convex	1200 mm	1200 mm	40 mm	white fleece	approx. 6.2 kg	00076263

The price includes the installation set. | Packing unit for all canopies: 1 piece per parcel | Not available in coloured fabric.

The ceiling canopies can also be used for wall installation (see [brochure wall absorber 1587 e](#)).

Our service excellence team will be happy to assist you with any other special formats and shapes.

Integrated lightings OWAlumino 1 and OWAlumino 2 can be inserted into Selecta canopies on site with the appropriate mounting kit 44. Further details see [price list OWAconsult collection 1001 e](#).

Hint:

Please take into consideration that during the installation of the canopies wind pressure or wind suction can occur. In these cases all relevant measures of protection have to be taken.

Technical data at a glance



Visible side	White fleece or coloured fabric
Edges	White fleece or coloured fabric
Edge detail	Straight edges, all the way round
Reaction fo fire for white fleece	A2-s1,d0 in accordance with EN 13501-1
Grid suspension	Inclusive packing unit for wire suspension
Sound absorption	Sound absorption values, see page 94 - 97
Humidity resistance	Up to 90 % RH

° Valid only for fleece white

Installation accessories – Selecta

Installation accessories for Selecta with wire rope set for ceiling installation and Z-hook for direct installation

The ceiling installation fixing sets are only approved for static loads, they are unsuitable for dynamic loads.

Installation accessories for Selecta one/plus

	Component description	Part no.
Ceiling installation	Set contains 4 pcs. wire rope (length 1500 mm), spiral hanger with quick adjuster and M6 ceiling fixing	00082764
Direct installation	Set contains: 2 pcs. Z-hooks and 2 pcs. hanger bolts, 2 sets are needed for the 4 fixing points	00088137
Connecting clip	Fixing distance of the connecting clamps < 300 mm. PU/package: 25 pieces	00080545

Please order one fitting set per canopy. **The price includes the installation set.**

Installation accessories for Selecta grande

	Component description	Part no.
Ceiling installation	Set contains 6 pcs. wire rope (length 1500 mm), spiral hanger with quick adjuster and M6 ceiling fixing	00082763
Direct installation	Set contains: 2 pcs. Z-hooks and 2 pcs. hanger bolts, 3 sets are needed for the 6 fixing points	00088137
Connecting clip	Fixing distance of the connecting clamps < 300 mm. PU/package: 25 pieces	00080545

Please order one fitting set per canopy. **The price includes the installation set.**

Installation accessories for Selecta grande XL

	Component description	Part no.
Ceiling installation	2 x Set contains 4 pcs. wire rope (length 1500 mm), spiral hanger with quick adjuster and M6 ceiling fixing	00082764
Direct installation	Set contains: 2 pcs. Z-hooks and 2 pcs. hanger bolts, 3 sets are needed for the 6 fixing points	00088137
Connecting clip	Fixing distance of the connecting clamps < 300 mm. PU/package: 25 pieces	00080545

Please order one fitting set per canopy. **The price includes the installation set.**

Installation accessories for Selecta loop

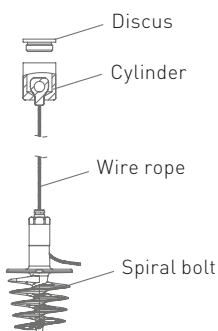
	Component description	Part no.
Ceiling installation	Set contains 3 pcs. wire rope (length 1500 mm), spiral hanger with quick adjuster and M6 ceiling fixing	00082762
Direct installation	Set contains: 2 pcs. Z-hooks and 2 pcs. hanger bolts, 2 sets are needed for the 3 fixing points	00088137
Connecting clip	Fixing distance of the connecting clamps < 300 mm. PU/package: 25 pieces	00080545

Please order one fitting set per canopy. **The price includes the installation set.**

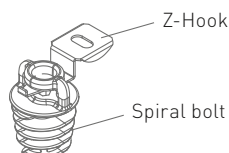
Installation accessories for Selecta convex and concav

	Component description	Part no.
Ceiling installation	Set contains 4 pcs. wire rope (length 1500 mm), spiral hanger with quick adjuster and M6 ceiling fixing	00082764
Connecting clip	Fixing distance of the connecting clamps < 300 mm. PU/package: 25 pieces	00080545

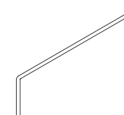
Please order one fitting set per canopy. **The price includes the installation set.**



Wire rope set for ceiling installation



Z-hook for direct installation

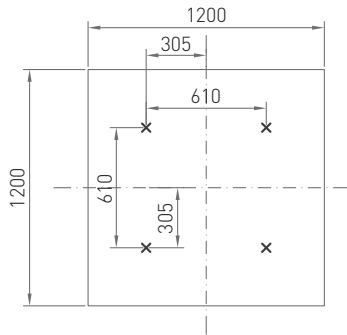


Connecting clip für installation two or more Selecta canopies to each other

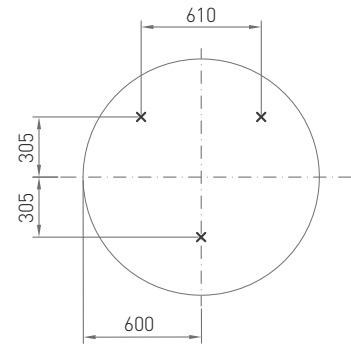
Ceiling installation – Selecta with wire rope

1. Back view of the canopies:
Each canopy has markings on it's back in the form of a cross.

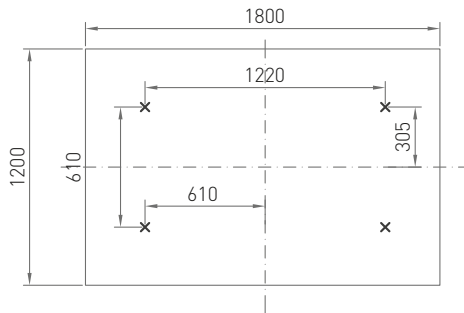
Selecta one



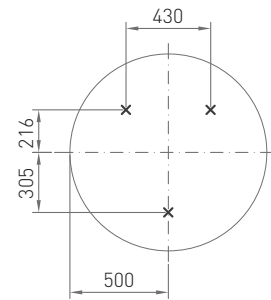
Selecta loop 1200



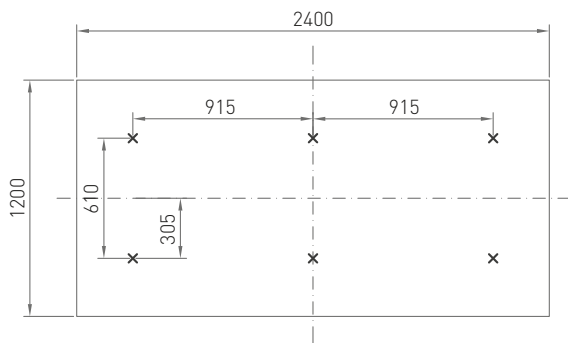
Selecta plus



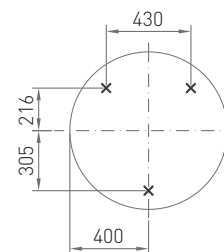
Selecta loop 1000



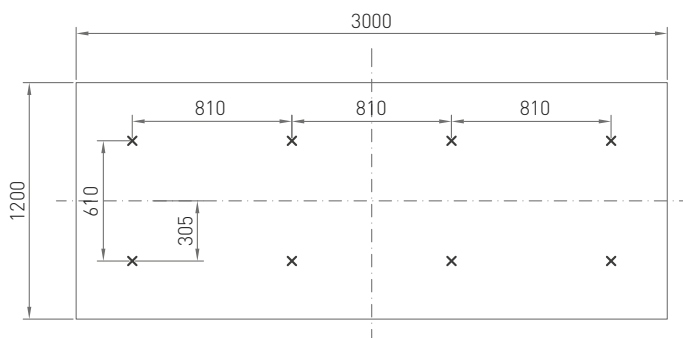
Selecta grande



Selecta loop 800



Selecta grande XL



x = Marking for hanger

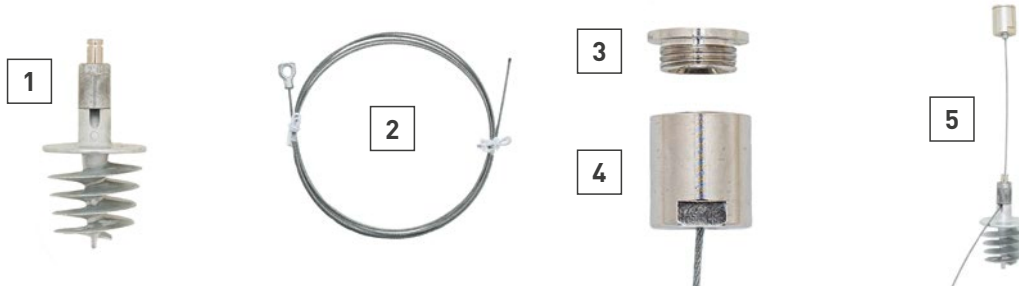
The distances between the fixing points must match the on-site anchor image on the soffit.

Ceiling installation – Selecta with wire rope

2. For the various sorts of soffits the following mounting accessories are recommended:

- Steel beam floor: for example WÜRTH ceiling dowels W-SD with external thread M6
- Timber floor: for example spax-countersunk screw 4 x 30 mm
- Gypsum ceiling: Officially approved drywall screws which has to be mounted in the supporting structure.

Mounting set:



- 1 Stair bolt (zinc) with rope quick adjuster
- 2 Wire rope (length 1500 mm) with drawbar eye ($\varnothing = 1.2$ mm, zinc plated)
- 3 Ceiling fastener (discus) with M13x1 outside thread and M6 inside thread, brass
- 4 Upper part (cylinder), 16 mm bundle diameter with M13x1 inside thread, brass
- 5 Entire assembly

3. The stair bolt with integrated rope quick adjuster has to be screwed carefully at the marked position. With the six wrench flats, which are attached to the upper part of the housing, it is possible to attach and screw in with a cordless screwdriver and 9 mm socket with a maximum torque of between 2 and 4 NM.



4. The open end of the wire rope has to be put through the lower part of the ceiling fastener (cylinder) from the top. Then the drawbar eye of the wire rope disappears in the ceiling fastener.



Ceiling installation – Selecta with wire rope

5. The open end of the wire has to be mounted into the integrated rope quick adjuster of the stair bolt by depressing its small cylinder. Adjust the correspondent suspension height. Releasing the cylinder will fix the wire.



6. The upper part of the ceiling fastener (discus) has to be fixed to the raw ceiling using the recommended ancors according to the type of raw ceiling. See the corresponding fixing points at point 1. for that.



7. Screw the lower part of the ceiling fastener (cylinder), with threaded wire rope, into the mounted upper part of the ceiling fastener (discus).

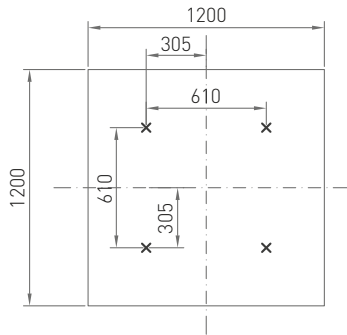


8. Use the integrated rope quick adjuster of the stair bolt to revise the suspension height.

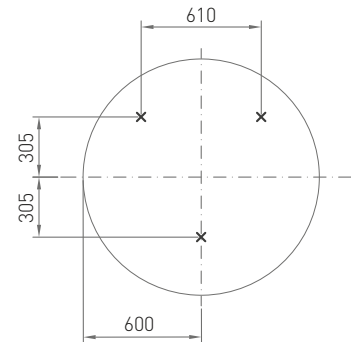
Direct installation – Selecta with Z-hook

1. Back view of the canopies:
Each canopy has markings on it's back in the form of a cross.

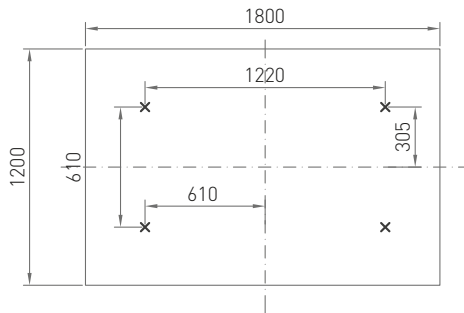
Selecta one



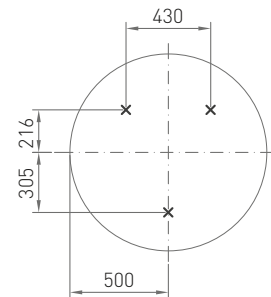
Selecta loop 1200



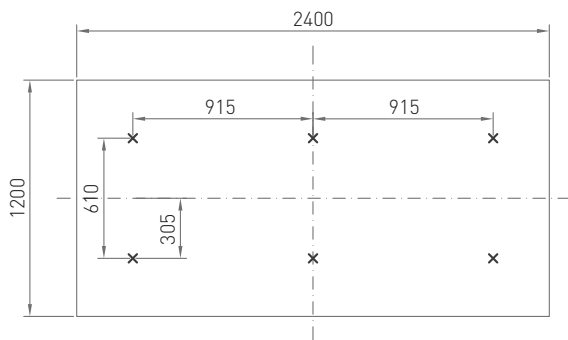
Selecta plus



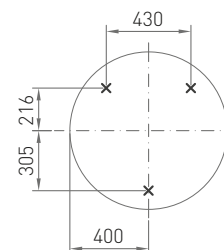
Selecta loop 1000



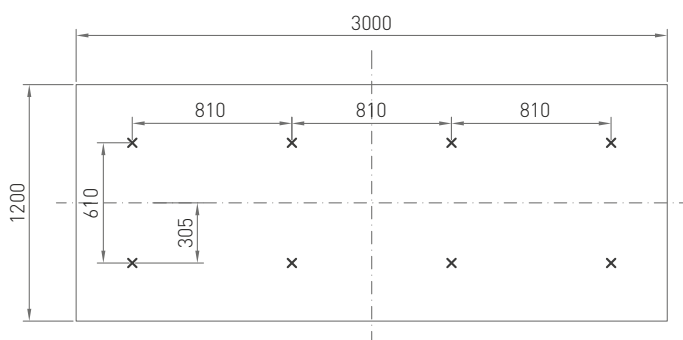
Selecta grande



Selecta loop 800



Selecta grande XL



x = Marking for hanger

The distances between the fixing points must match the on-site anchor image on the soffit.

Direct installation – Selecta with Z-hook

2. For the various sorts of soffits the following mounting accessories are recommended:

- Steel beam floor: for example WÜRTH ceiling dowels W-SD with external thread M6
- Timber floor: for example spax-countersunk screw 4 x 30 mm
- Gypsum ceiling: Officially approved drywall screws which has to be mounted in the supporting structure.

Mounting set:



- 1 Stair bolt (zinc)
- 2 Z-hook
- 3 Entire assembly

3. The stair bolt has to be screwed carefully at the marked position. With the six wrench flats, which are attached to the upper part of the housing, it is possible to attach and screw in with a cordless screwdriver and 9 mm socket with a maximum torque of between 2 and 4 NM.

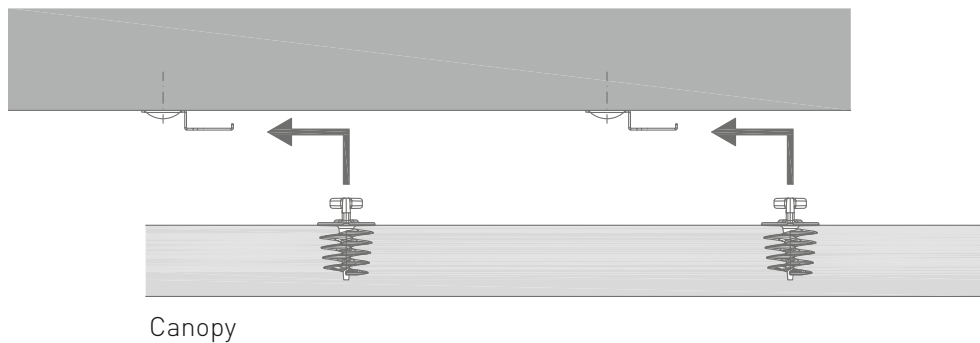


4. The ceiling fastener has to be fixed to the raw ceiling using the recommended ancors according to the type of raw ceiling. See the corresponding fixing points at point 1. for that. The ceiling fasteners (Z-hooks) must be aligned parallel in the same direction.

Direct installation – Selecta with Z-hook

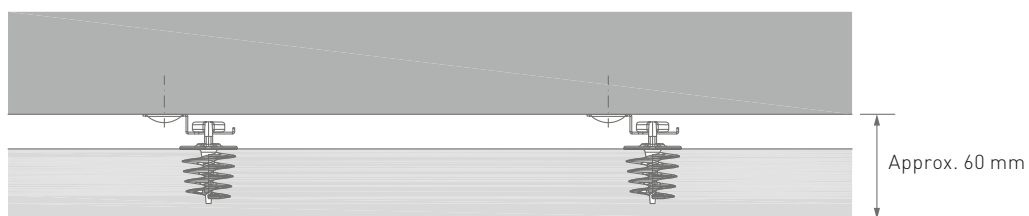
5. The ceiling canopy is aligned with the course of the Z-hooks during installation. Then the canopy is lifted up to the butt of the raw ceiling and pushed onto the Z-hooks. The canopy can then be lowered onto the hooks.

Raw ceiling



Canopy

6. In mounted state





← Oosterpoortzijde

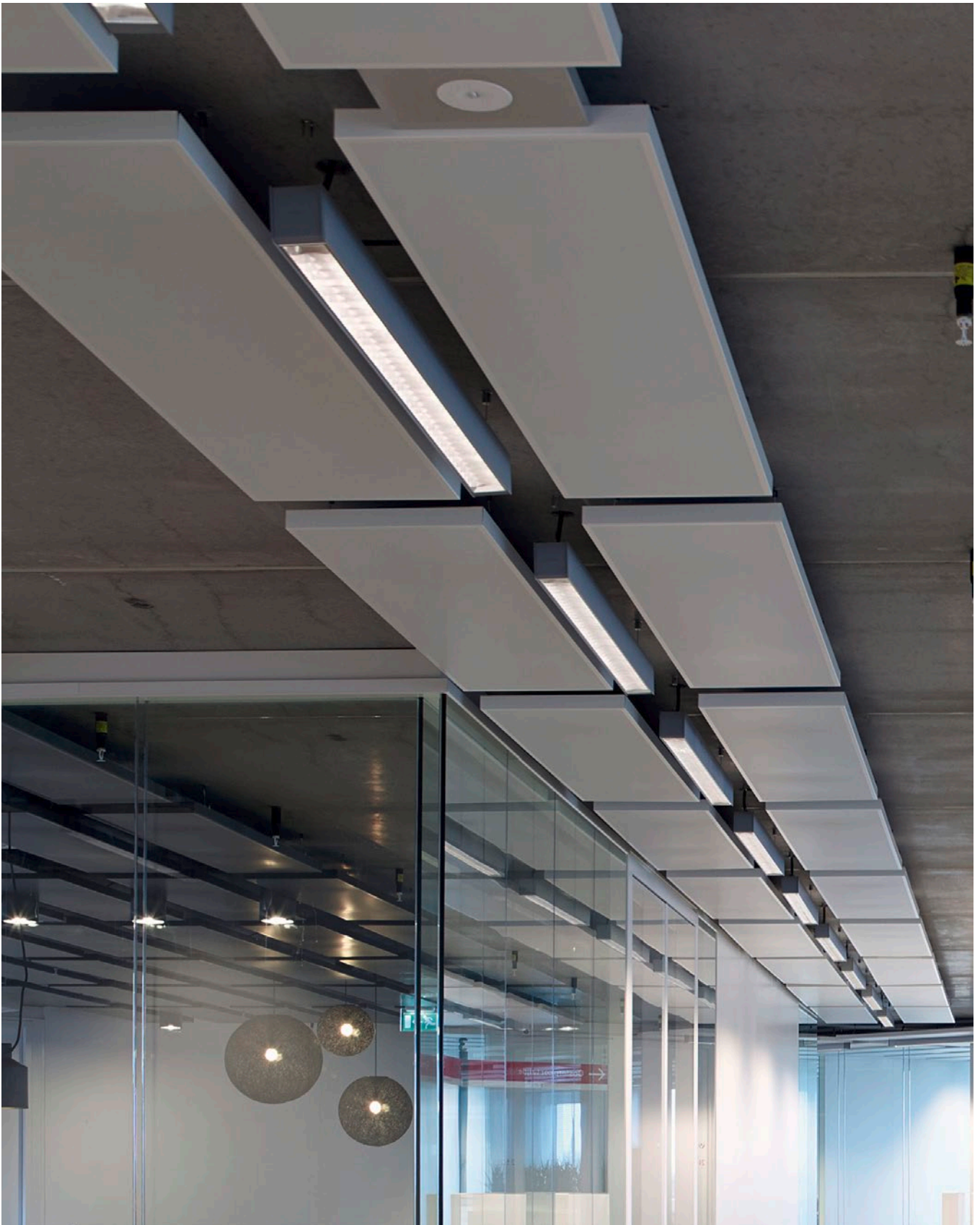
Ceiling canopy **Selecta Metal**

Functional and versatile Selecta Metal

Simple design and excellent acoustics - Selecta Metal meets the highest demands for a ceiling canopy. You have a choice of three sizes and two perforation patterns. All Selecta Metal canopies are backed with an acoustic fleece and an additional acoustic pad is optional. The use of threaded rods makes it easy to install. Selecta Metal offers great flexibility for aesthetic and acoustic ceiling design.



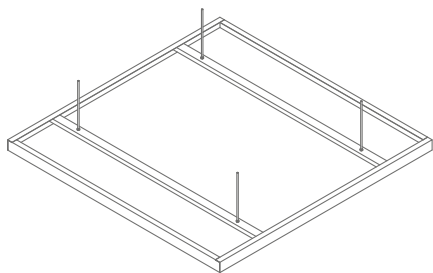
Ceiling canopy – Selecta Metal



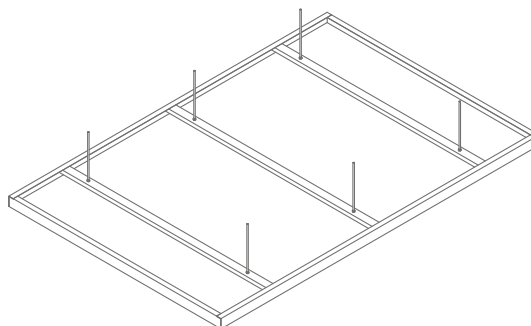
PRODUCT: Ceiling canopy – Selecta Metal

Selecta Metal

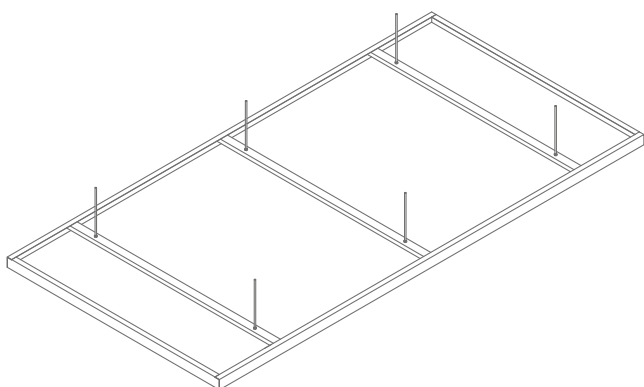
Selecta Metal one



Selecta Metal plus



Selecta Metal grande



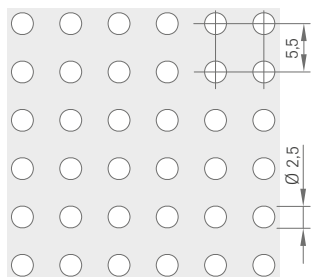
For more information on articles and prices, please see the [OWAconsult collection price list 1001 e.](#)

Selecta Metal

Selecta Metal Rg2516

	Length	Width	Thickness	Perforation	Weight	Part no.
Selecta Metal one	1200 mm	1200 mm	50 mm	Rg2516	approx. 10,8 kg	00092132
Selecta Metal plus	1800 mm	1200 mm	50 mm	Rg2516	approx. 15,1 kg	00092133
Selecta Metal grande	2400 mm	1200 mm	50 mm	Rg2516	approx. 20,2 kg	00092134

Packing unit for all canopies: 1 piece per parcel



Rg2516

Ø 2,5 mm | 16 % open area

Our service excellence team will be happy to assist you with any other special formats and shapes.

The integrated lighting OWA lumino 1 can be fitted to Selecta Metal onsite with the appropriate mounting kit 20 (15-20 mm OWA acoustic tile or chipboard is required to accept the clips). Further details see [price list OWAconsult collection 1001 e](#).

Hint:

Please take into consideration that during the installation of the canopies wind pressure or wind suction can occur. In these cases all relevant measures of protection have to be taken.

Technical data at a glance

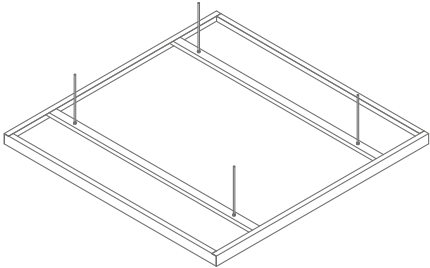
Colour	White (similar RAL 9003)
Perforation	Rg2516
Inlay	Acoustic fleece, black
Edge detail	Straight edges, all the way round - edge 03
Thickness	Galvanized steel approx. 1.0 mm
Reaction to fire	A2-s1,d0 in accordance with EN 13501-1
Sound absorption	Sound absorption values, see page 97
Humidity resistance	Up to 90 % RH

Installation – Selecta Metal

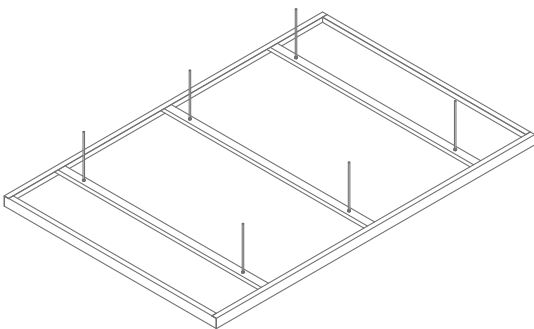
The ceiling canopies are to be assembled on-site using M6 threaded rods in the appropriate quantity.

Threaded rods are not included in the delivery.

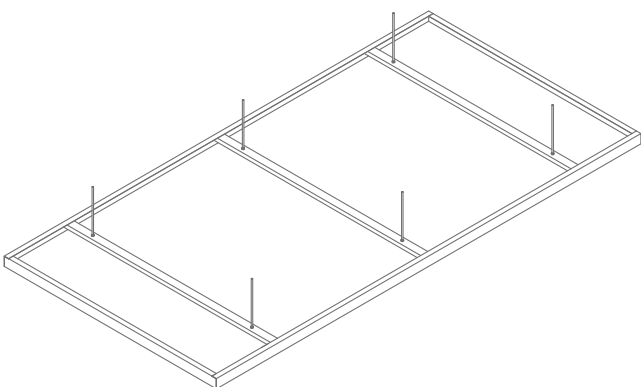
Selecta Metal one – 4 threaded rods M6



Selecta Metal plus – 6 threaded rods M6



Selecta Metal grande – 6 threaded rods M6





privato

E

PRODUCT: Ceiling canopy – Curve 1 and 2

PROJECT: Pizzeria Da Vinci

REGION: Bad Kreuznach, Germany

Ceiling canopy **Curve**

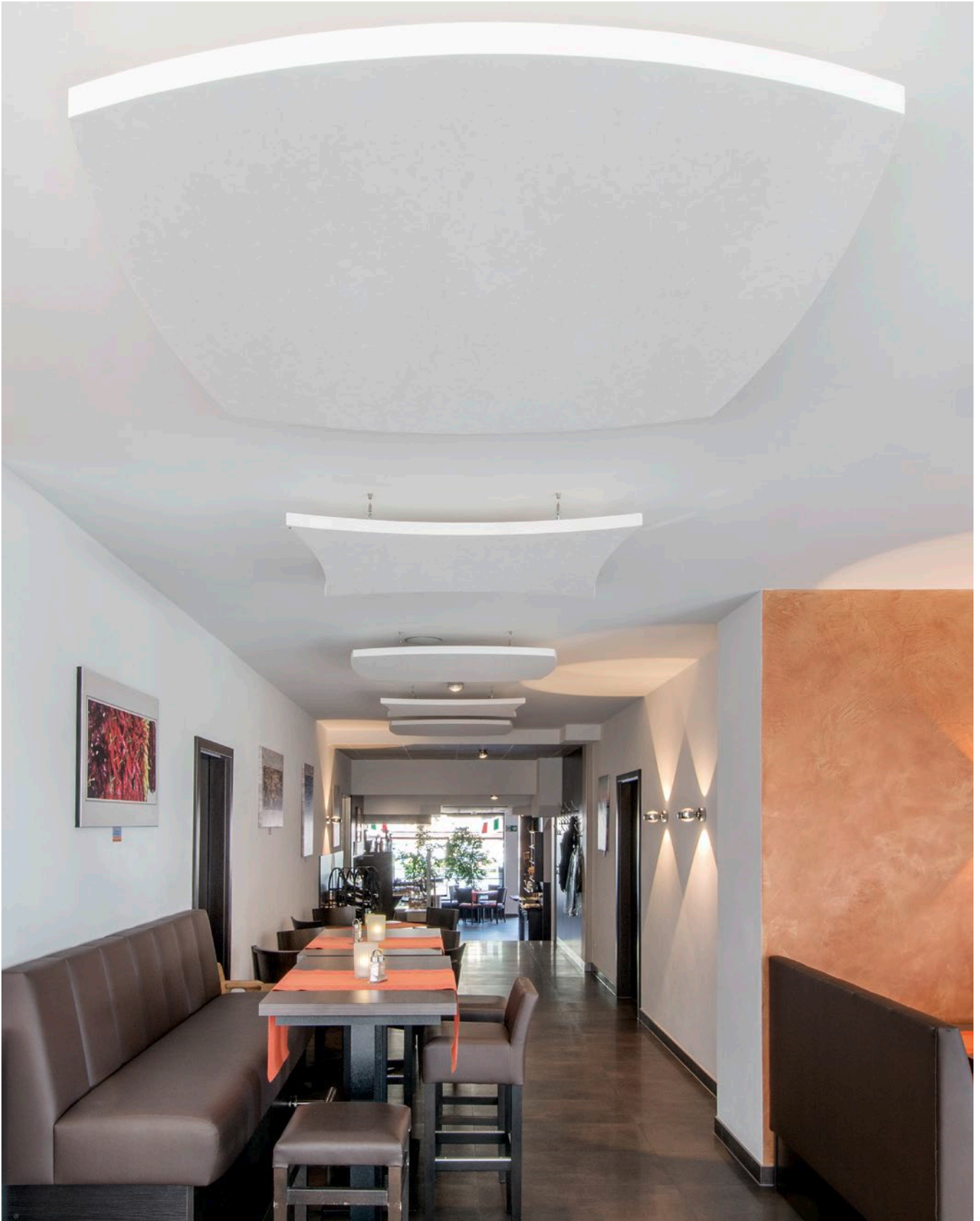
So easy to get good room acoustics

Curve

Curve ceiling canopies are made from glass wool and are therefore lightweight. The visible face and edges of both versions have white, finished surfaces. They can therefore be installed singly or in groups to create interesting formations. The modules, available up to a size of 1200 x 1100 mm, can also be supplied in coloured fabric - for even more design freedom on the ceiling.



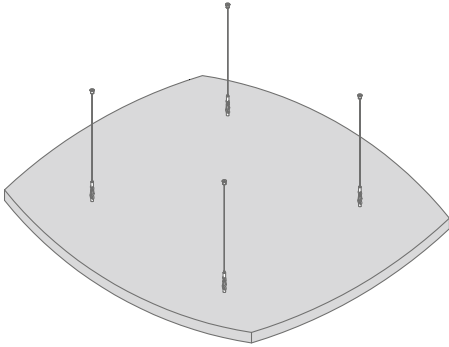
Ceiling canopy – Curve



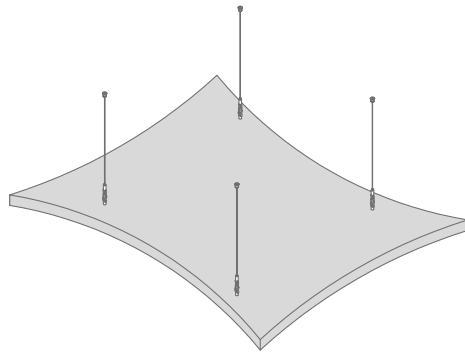
PRODUCT: Ceiling canopy – Curve
PROJECT: Pizzeria Da Vinci
REGION: Bad Kreuznach, Germany

Curve

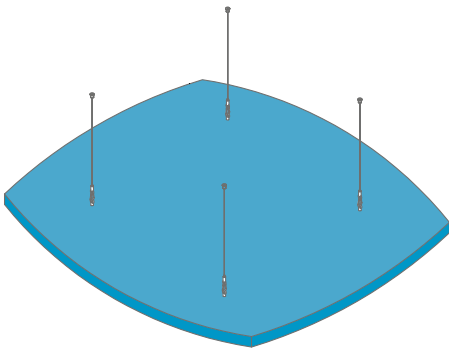
Curve 1 white fleece



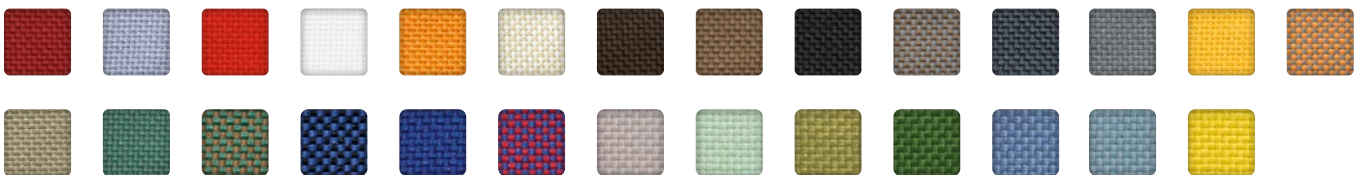
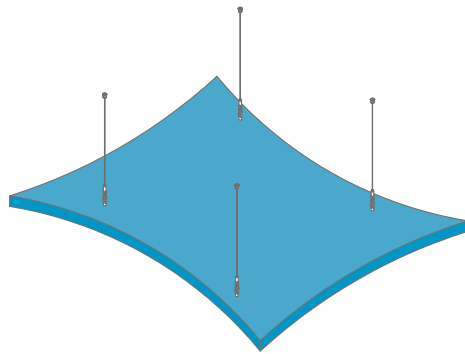
Curve 2 white fleece



Curve 1 coloured fabric



Curve 2 coloured fabric



For more information of the OWAcolor world of colours see page 99.

For more information on articles and prices, please see the [OWAconsult collection price list 1001 e.](#)

Curve

Curve

	Length	Width	Thickness	Visible side	Weight	Part no.
Curve 1	1200 mm	1100 mm	40 mm	white fleece	approx. 5.3 kg	00074785
Curve 1	1200 mm	1100 mm	40 mm	coloured fabric	approx. 5.7 kg	depending on the colour
Curve 2	1100 mm	910 mm	40 mm	white fleece	approx. 4.0 kg	00074786
Curve 2	1100 mm	910 mm	40 mm	coloured fabric	approx. 4.3 kg	depending on the colour

The price includes the installation set. | Packing unit for all canopies: 1 piece per parcel

The ceiling canopies can also be used for wall installation (see [brochure wall absorber 1587 e](#)).

Integrated lightings OWA Lumino 1 and OWA Lumino 2 can be inserted into Curve canopies on site with the appropriate mounting kit 44. Further details see [price list OWAconsult collection 1001 e](#).

Hint:

Please take into consideration that during the installation of the canopies wind pressure or wind suction can occur. In these cases all relevant measures of protection have to be taken.

Technical data at a glance



Visible side	White fleece or coloured fabric
Edges	White fleece or coloured fabric
Edge detail	Straight edges, all the way round
Reaction fo fire for white fleece	A2-s1,d0 in accordance with EN 13501-1:2019-05
Grid suspension	Inclusive packing unit for wire suspension
Sound absorption	Sound absorption values, see page 94 - 97
Humidity resistance	Up to 90 % RH

° Valid only for fleece white

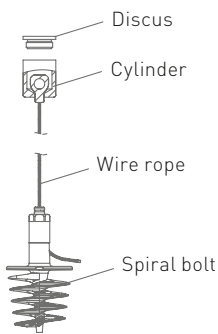
Installation accessories – Curve

Installation accessories for Curve with wire rope set for ceiling installation and Z-hook for direct installation

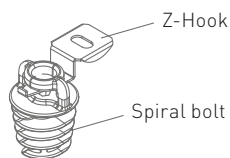
The ceiling installation fixing sets are only approved for static loads, they are unsuitable for dynamic loads.

	Component description	Part no.
Ceiling installation	Set contains 4 pcs. wire rope (length 1500 mm), spiral hanger with quick adjuster and M6 ceiling fixing	00082764
Direct installation	Set contains: 2 pcs. Z-hooks and 2 pcs. hanger bolts, 2 sets are needed for the 4 fixing points	00088137

Please order one fitting set per canopy. **The price includes the installation set.**



Wire rope set for ceiling installation

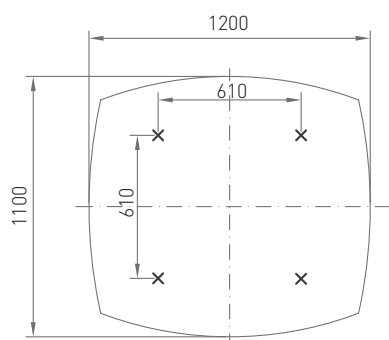


Z-hook for direct installation

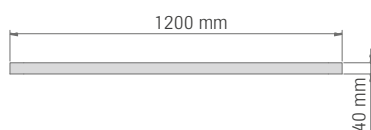
Ceiling installation – Curve with wire rope

- Back view of the canopies:
Each canopy has markings on it's back in the form of a cross.

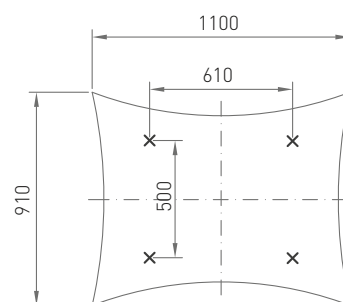
Curve 1



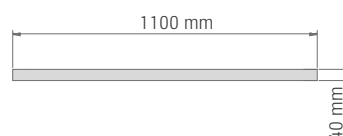
Side view



Curve 2



Side view



x = Marking for hanger

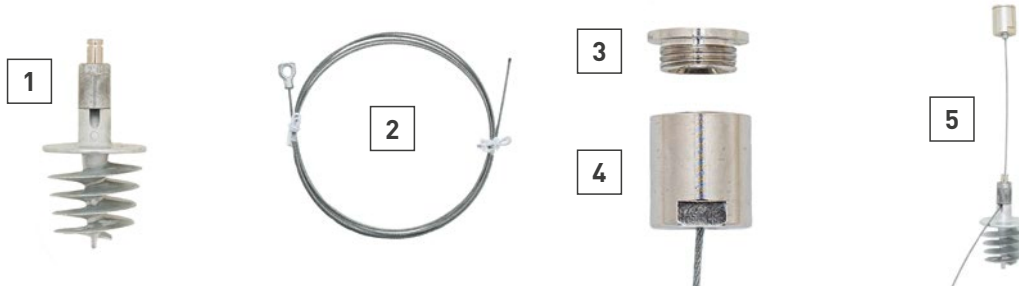
The distances between the fixing points must match the on-site anchor image on the soffit.

Ceiling installation – Curve with wire rope

2. For the various sorts of soffits the following mounting accessories are recommended:

- Steel beam floor: for example WÜRTH ceiling dowels W-SD with external thread M6
- Timber floor: for example spax-countersunk screw 4 x 30 mm
- Gypsum ceiling: Officially approved drywall screws which has to be mounted in the supporting structure.

Mounting set:



- 1 Stair bolt (zinc) with rope quick adjuster
- 2 Wire rope (length 1500 mm) with drawbar eye ($\varnothing = 1.2$ mm, zinc plated)
- 3 Ceiling fastener (discus) with M13x1 outside thread and M6 inside thread, brass
- 4 Upper part (cylinder), 16 mm bundle diameter with M13x1 inside thread, brass
- 5 Entire assembly

3. The stair bolt with integrated rope quick adjuster has to be screwed carefully at the marked position. With the six wrench flats, which are attached to the upper part of the housing, it is possible to attach and screw in with a cordless screwdriver and 9 mm socket with a maximum torque of between 2 and 4 NM.



4. The open end of the wire rope has to be put through the lower part of the ceiling fastener (cylinder) from the top. Then the drawbar eye of the wire rope disappears in the ceiling fastener.



Ceiling installation – Curve with wire rope

5. The open end of the wire has to be mounted into the integrated rope quick adjuster of the stair bolt by depressing its small cylinder. Adjust the correspondent suspension height. Releasing the cylinder will fix the wire.



6. The upper part of the ceiling fastener (discus) has to be fixed to the raw ceiling using the recommended ancors according to the type of raw ceiling. See the corresponding fixing points at point 1. for that.



7. Screw the lower part of the ceiling fastener (cylinder), with threaded wire rope, into the mounted upper part of the ceiling fastener (discus).

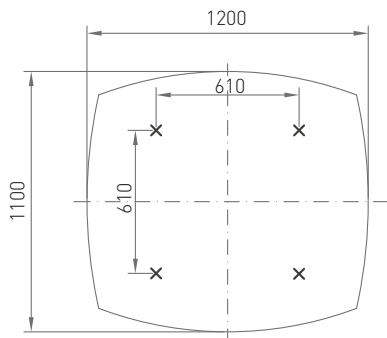


8. Use the integrated rope quick adjuster of the stair bolt to revise the suspension height.

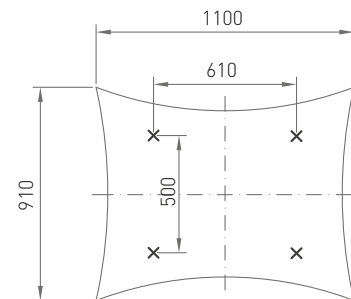
Direct installation – Curve with Z-hook

1. Back view of the canopies:
Each canopy has markings on it's back in the form of a cross.

Curve 1



Curve 2



x = Marking for hanger

The distances between the fixing points must match the on-site anchor image on the soffit.

2. For the various sorts of soffits the following mounting accessories are recommended:
 - Steel beam floor: for example WÜRTH ceiling dowels W-SD with external thread M6
 - Timber floor: for example spax-countersunk screw 4 x 30 mm
 - Gypsum ceiling: Officially approved drywall screws which has to be mounted in the supporting structure.

Mounting set:



- 1 Stair bolt (zinc)
- 2 Z-hook
- 3 Entire assembly

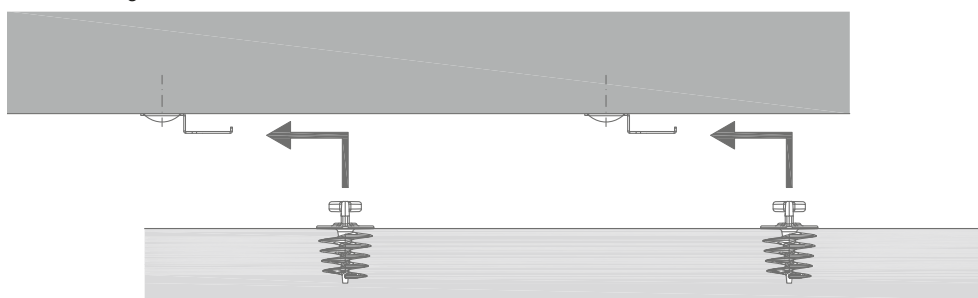
Direct installation – Curve with Z-hook

3. The stair bolt has to be screwed carefully at the marked position. With the six wrench flats, which are attached to the upper part of the housing, it is possible to attach and screw in with a cordless screwdriver and 9 mm socket with a maximum torque of between 2 and 4 NM.



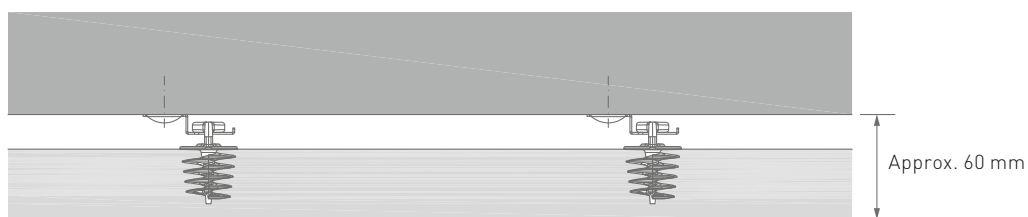
4. The ceiling fastener has to be fixed to the raw ceiling using the recommended ancors according to the type of raw ceiling. See the corresponding fixing points at point 1. for that. The ceiling fasteners (Z-hooks) must be aligned parallel in the same direction.
5. The ceiling canopy is aligned with the course of the Z-hooks during installation. Then the canopy is lifted up to the butt of the raw ceiling and pushed onto the Z-hooks. The canopy can then be lowered onto the hooks.

Raw ceiling



Canopy

6. In mounted state





PRODUCT: Ceiling canopy – FreeStyle baffles
with wire suspension
PROJECT: Office building Braunschweig
REGION: Germany

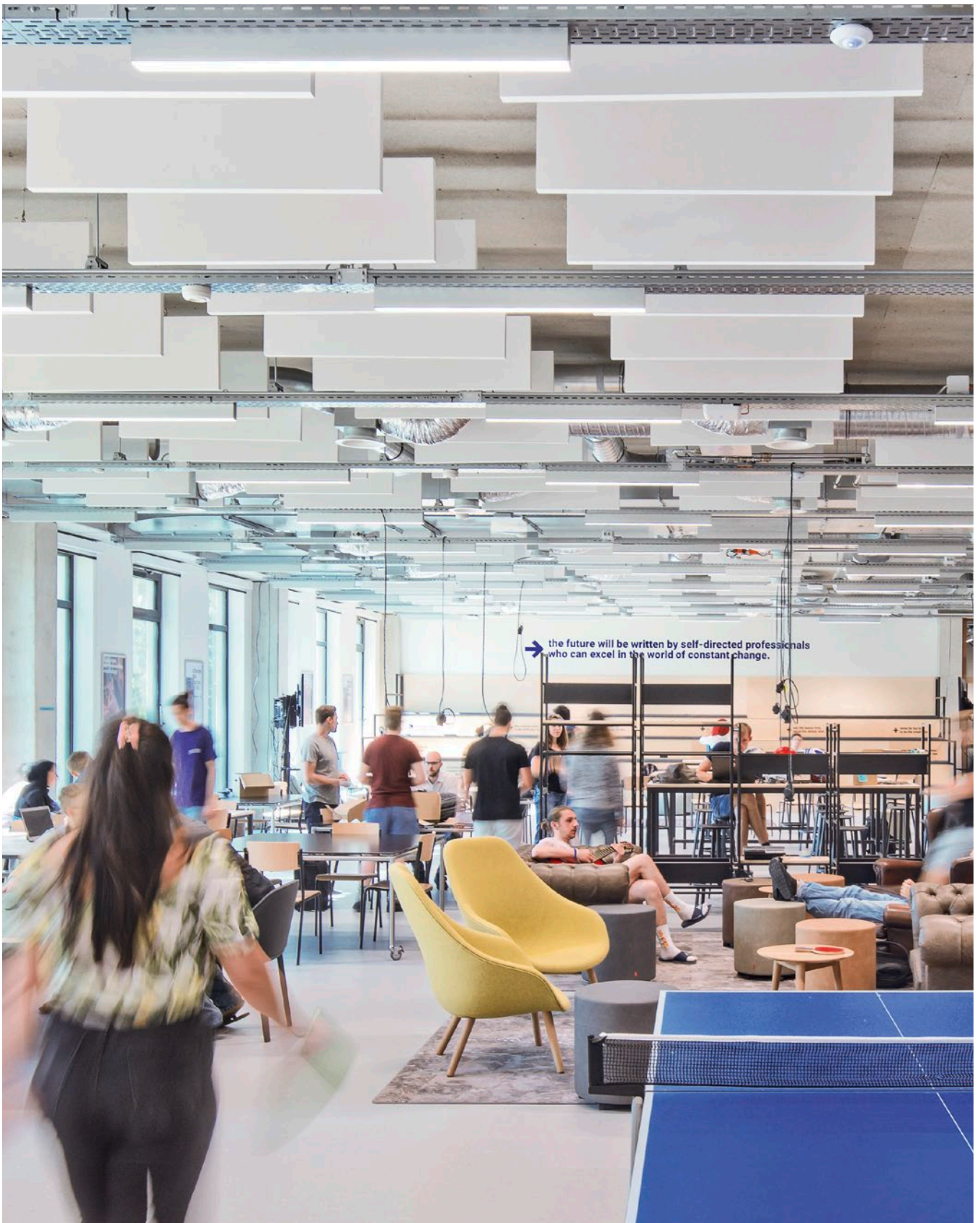
Ceiling canopy FreeStyle baffles with wire suspension

New dimensions to creativity FreeStyle baffles with wire suspension

FreeStyle allows for creative freedom and individual expression. The possible combinations are almost limitless, regardless of whether the baffles are arranged horizontally or vertically. Thanks to the height-adjustable wire hanging, the FreeStyle baffles float 'freely' within the space. Thus making the ceiling area and whole room look large and impressive.



Ceiling canopy – FreeStyle baffles with wire suspension



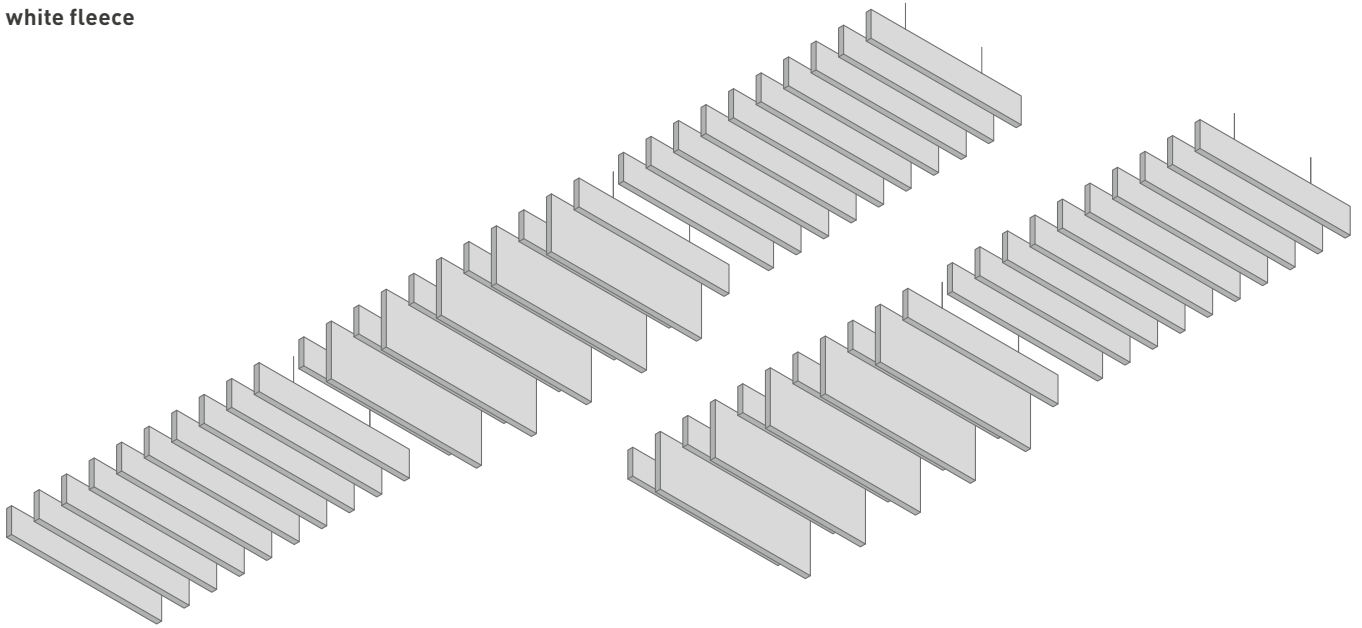
PRODUCT: Ceiling canopy – FreeStyle baffles with wire suspension

PROJECT: Fontys University of Applied Sciences

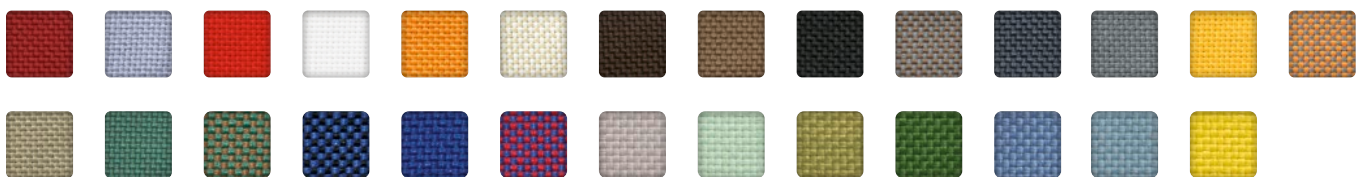
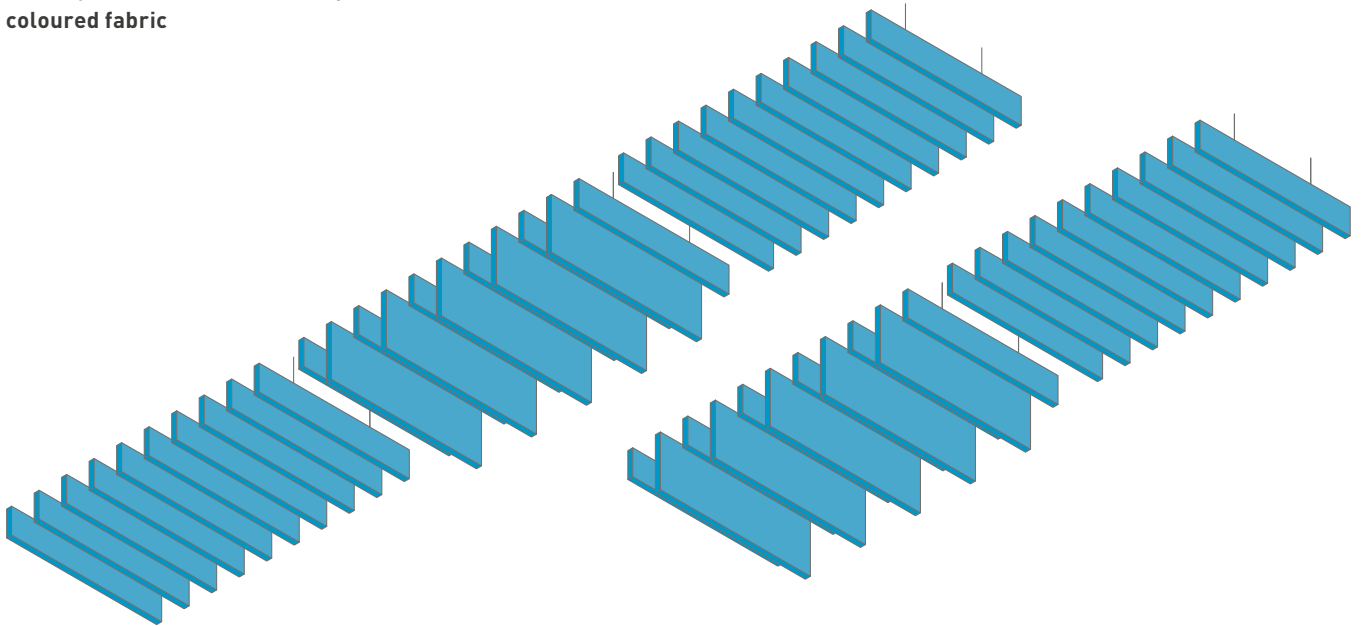
REGION: Eindhoven, Netherlands

FreeStyle baffles with wire suspension

FreeStyle baffles with wire suspension
white fleece

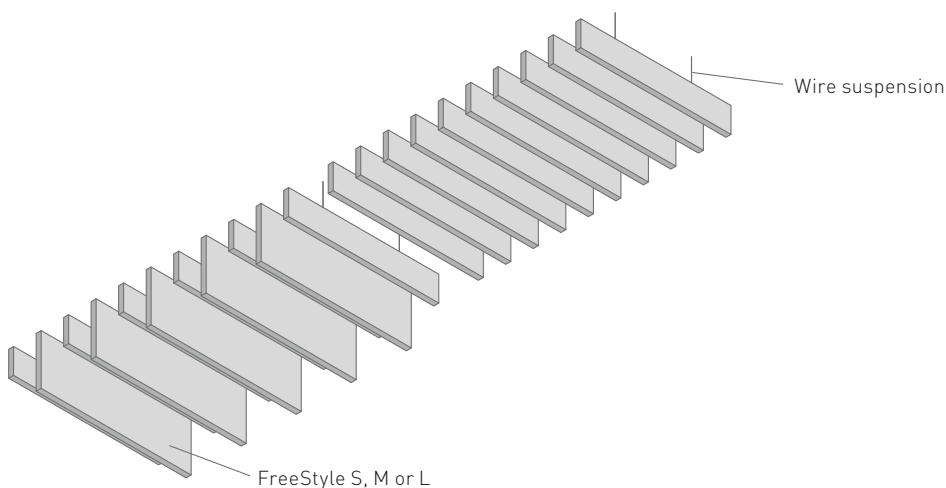


FreeStyle baffles with wire suspension
coloured fabric



For more information of the OWAcolor world of colours see page 99.
For more information on articles and prices, please see the [OWAconsult collection price list 1001 e.](#)

FreeStyle baffles with wire suspension



FreeStyle baffles

Long edge/Short edge 3

	Length	Height	Thickness	Visible side	Weight	Units	Part no.
FreeStyle S	1200 mm	200 mm	40 mm	white fleece	approx. 1.3 kg	6	00076308
	1200 mm	200 mm	40 mm	coloured fabric	approx. 1.3 kg	6	on request
FreeStyle M	1200 mm	400 mm	40 mm	white fleece	approx. 2.6 kg	3	00076639
	1200 mm	400 mm	40 mm	coloured fabric	approx. 2.6 kg	3	on request
FreeStyle L	1200 mm	600 mm	40 mm	white fleece	approx. 4.0 kg	2	00076796
	1200 mm	600 mm	40 mm	coloured fabric	approx. 4.0 kg	2	on request

Special formats/special shapes on request

Hint:

Please take into consideration that during the installation of the canopies wind pressure or wind suction can occur. In these cases all relevant measures of protection have to be taken.

Technical data at a glance



Visible side	White fleece or coloured fabric
Edges	White fleece or coloured fabric
Edge detail	Straight edges, all the way round
Reaction fo fire for white fleece	A2-s1,d0 in accordance with EN 13501-1:2019-05
Grid suspension	L = 1.5 m, ceiling fixing
Sound absorption	Sound absorption values, see page 94 - 97
Humidity resistance	Up to 90 % RH

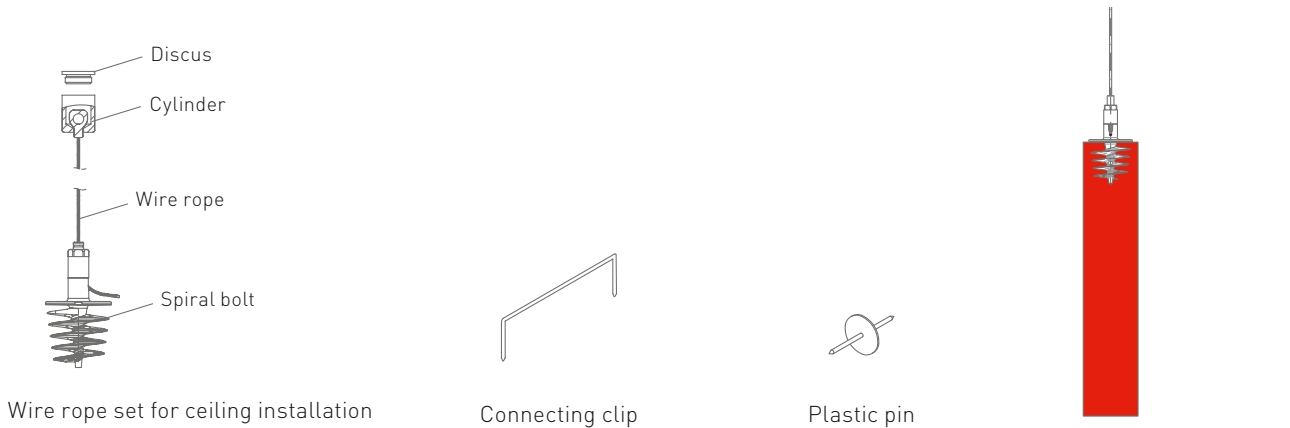
° Valid only for fleece white

Installation accessories – FreeStyle baffles with wire suspension

The ceiling installation fixing sets are only approved for static loads, they are unsuitable for dynamic loads.

	Component description	Part no.
Fitting set	Set contains 2 pcs. wire rope (length 1500 mm), spiral hanger with quick adjuster and M6 ceiling fixing	00082765
Connecting clip	For longitudinal joint of baffles on the top	00080545
Plastic pin	For longitudinal connection of two baffles in the lower area	00082538

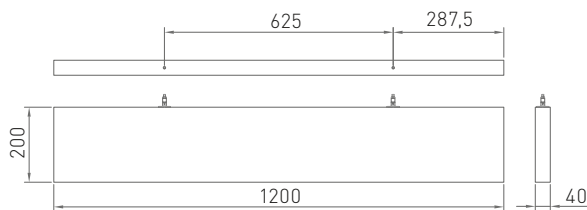
Please order one fitting set per baffle.



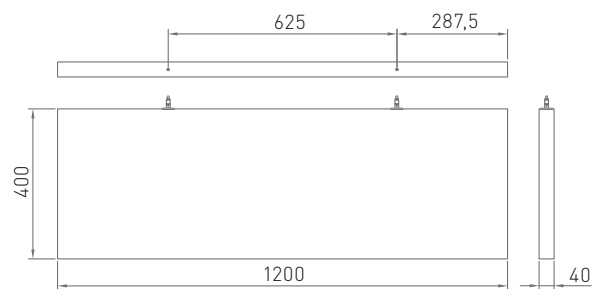
Ceiling installation – FreeStyle baffles with wire suspension

1. Dimensions FreeStyle elements:

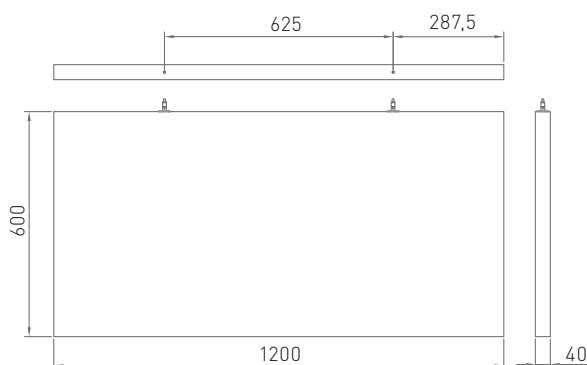
FreeStyle S



FreeStyle M



FreeStyle L

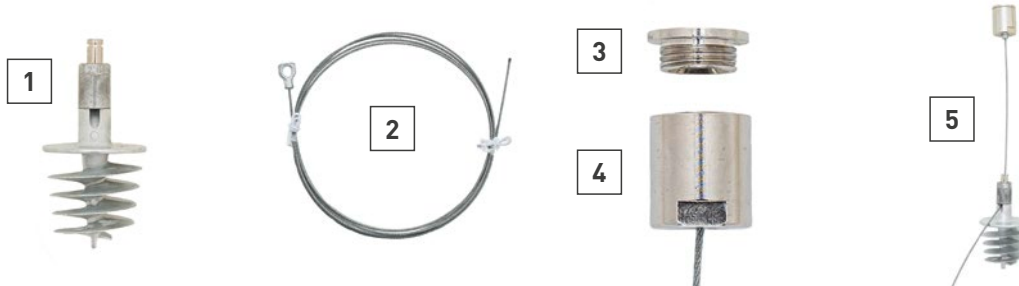


Ceiling installation – FreeStyle baffles with wire suspension

2. For the various sorts of soffits the following mounting accessories are recommended:

- Steel beam floor: for example WÜRTH ceiling dowels W-SD with external thread M6
- Timber floor: for example spax-countersunk screw 4 x 30 mm
- Gypsum ceiling: Officially approved drywall screws which has to be mounted in the supporting structure.

Mounting set:



- 1 Stair bolt (zinc) with rope quick adjuster
- 2 Wire rope (length 1500 mm) with drawbar eye ($\varnothing = 1.2$ mm, zinc plated)
- 3 Ceiling fastener (discus) with M13x1 outside thread and M6 inside thread, brass
- 4 Upper part (cylinder), 16 mm bundle diameter with M13x1 inside thread, brass
- 5 Entire assembly

3. The stair bolt with integrated rope quick adjuster has to be screwed carefully at the marked position. With the six wrench flats, which are attached to the upper part of the housing, it is possible to attach and screw in with a cordless screwdriver and 9 mm socket with a maximum torque of between 2 and 4 NM.



4. The open end of the wire rope has to be put through the lower part of the ceiling fastener (cylinder) from the top. Then the drawbar eye of the wire rope disappears in the ceiling fastener.



Ceiling installation – FreeStyle baffles with wire suspension

5. The open end of the wire has to be mounted into the integrated rope quick adjuster of the stair bolt by depressing its small cylinder. Adjust the correspondent suspension height. Releasing the cylinder will fix the wire.



6. The upper part of the ceiling fastener (discus) has to be fixed to the raw ceiling using the recommended ancors according to the type of raw ceiling.



7. Screw the lower part of the ceiling fastener (cylinder), with threaded wire rope, into the mounted upper part of the ceiling fastener (discus).



8. Use the integrated rope quick adjuster of the stair bolt to revise the suspension height.



Ceiling canopy FreeStyle baffles with system S 3

New dimensions to creativity FreeStyle baffles with system S 3

FreeStyle is not just a ceiling system, but an expression of a cosmopolitan lifestyle. With FreeStyle, new ground can be broken and individual accents set. The combinations available for vertically or horizontally arranged baffles are practically inexhaustible. Thanks to a handy tee grid clip, the FreeStyle baffles can float directly below the ceiling. This gives a System S 3 ceiling, and in fact the whole room, an impressive, highly individual aesthetic.



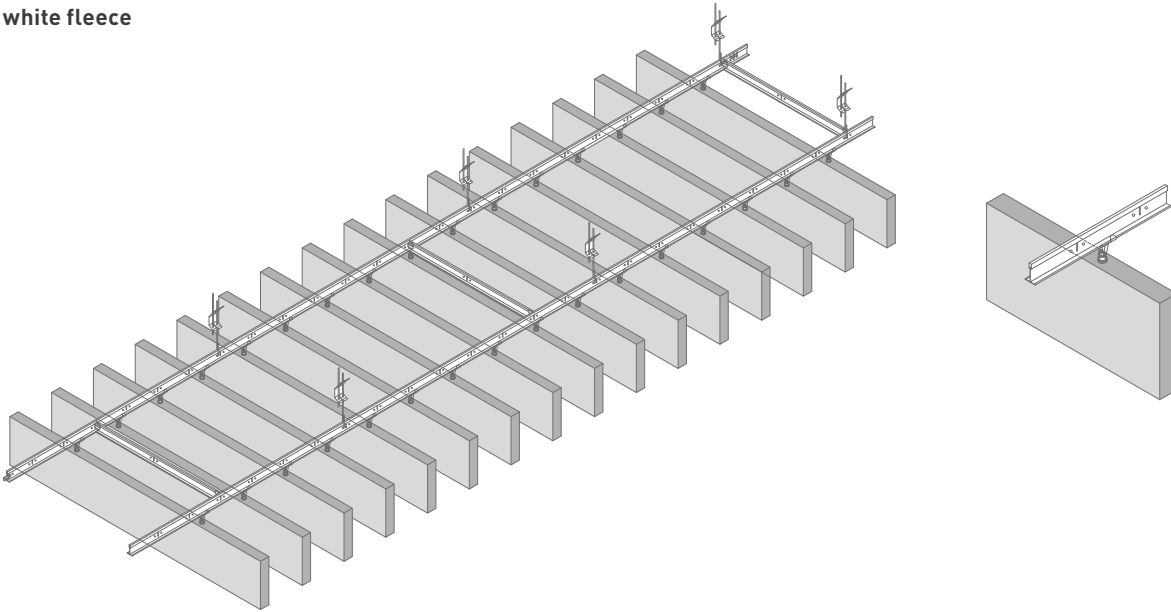
Ceiling canopy – FreeStyle baffles with system S 3



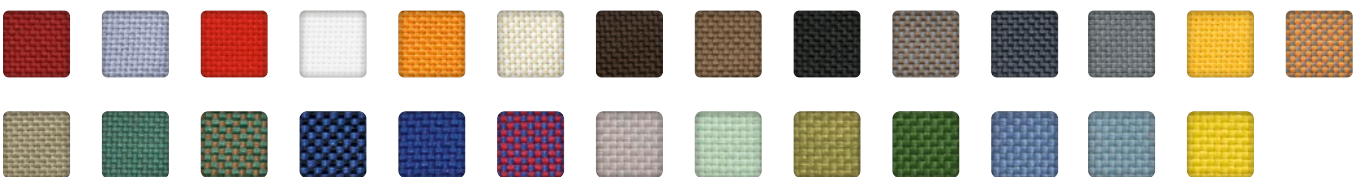
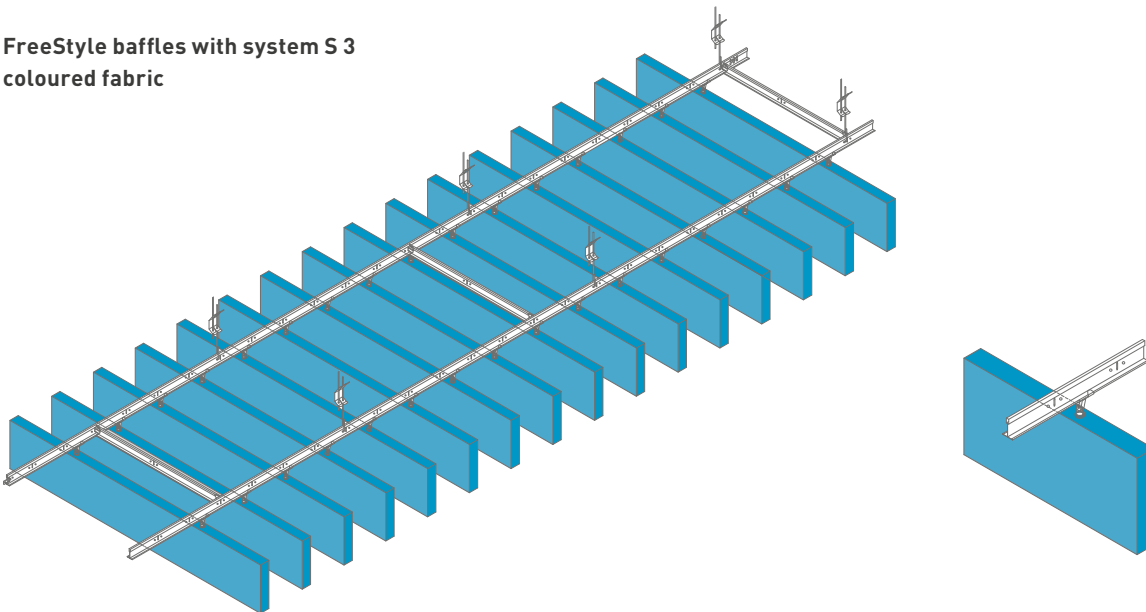
PRODUCT: Visualisation FreeStyle baffles with system S 3

FreeStyle baffles with system S 3

FreeStyle baffles with system S 3 white fleece

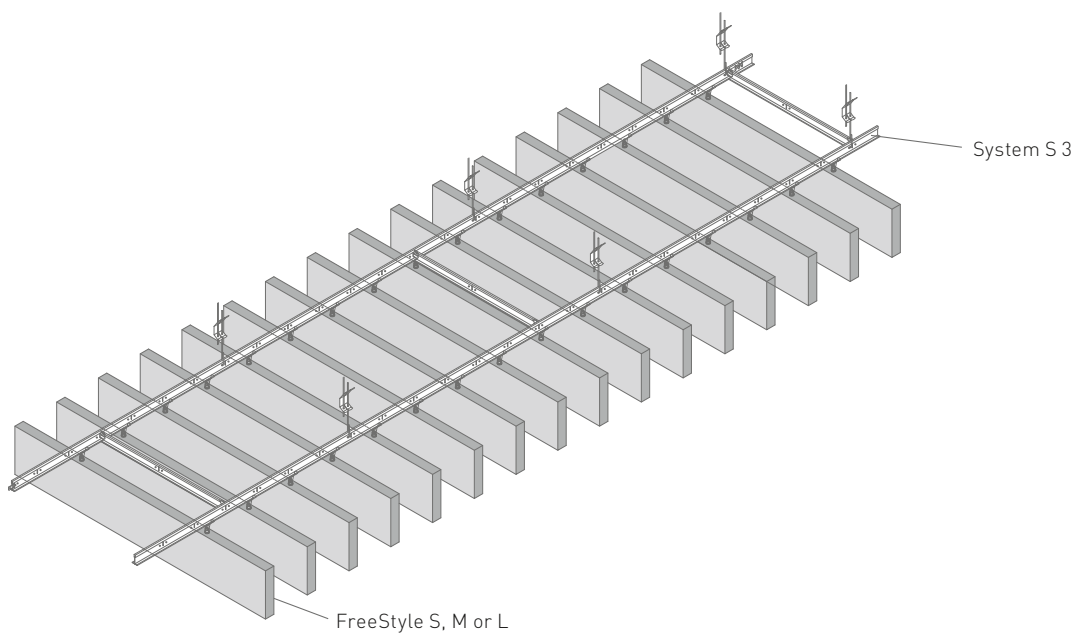


FreeStyle baffles with system S 3 coloured fabric



For more information of the OWAcolor world of colours see page 99.
For more information on articles and prices, please see the [OWAconsult collection price list 1001 e.](#)

FreeStyle baffles with system S 3



FreeStyle baffles

Long edge/Short edge

3

	Length	Height	Thickness	Visible side	Weight	Units	Part no.
FreeStyle S	1200 mm	200 mm	40 mm	white fleece	approx. 1.3 kg	6	00076308
	1200 mm	200 mm	40 mm	coloured fabric	approx. 1.3 kg	6	on request
FreeStyle M	1200 mm	400 mm	40 mm	white fleece	approx. 2.6 kg	3	00076639
	1200 mm	400 mm	40 mm	coloured fabric	approx. 2.6 kg	3	on request
FreeStyle L	1200 mm	600 mm	40 mm	white fleece	approx. 4.0 kg	2	00076796
	1200 mm	600 mm	40 mm	coloured fabric	approx. 4.0 kg	2	on request

Special formats/special shapes on request

Hint:

Please take into consideration that during the installation of the canopies wind pressure or wind suction can occur. In these cases all relevant measures of protection have to be taken.

Technical data at a glance



Visible side	White fleece or coloured fabric
Edges	White fleece or coloured fabric
Edge detail	Straight edges, all the way round
Reaction fo fire for white fleece	A2-s1,d0 in accordance with EN 13501-1:2019-05
Grid suspension	System S 3: Suspension on main tee no. 45
Sound absorption	Sound absorption values, see page 94 - 97
Humidity resistance	Up to 90 % RH

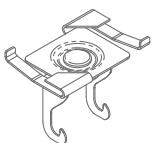
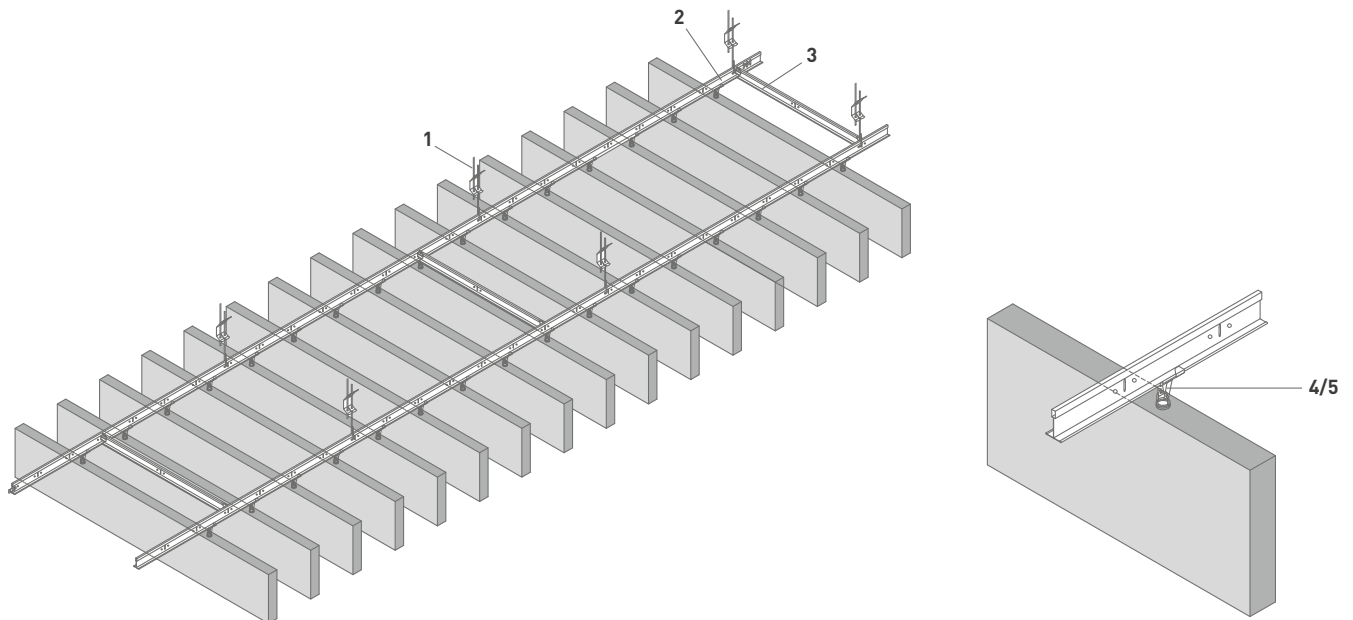
° Valid only for fleece white

Installation accessories – FreeStyle baffles with system S 3

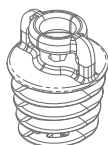
The ceiling installation fixing sets are only approved for static loads, they are unsuitable for dynamic loads.

	Order no.	Component description/dimension/surface	Units	Part no.
1	12/XX/2	Adjustable hanger with double tension spring, double wire, pre-mounted, diameter: 4 mm, maximum load: 0.25 kN, max. range of extension: 70 mm a wire overhang of at least 15 mm must be provided.	100	
2	45	Main tee, height: 38 mm, width: 24 mm, length: 3750 mm, visible side: white, distance 625 mm	25	
3	46	Cross tee, height: 32 mm, width: 24 mm, length: 625 mm, visible side: white, distance 1562.5 mm	75	
4/5		Fitting set for system S 3 contains: 2 pcs. fastening clips (incl. hanger brackets) and 2 pcs. spiral hanger (incl. head geometry for hanger bracket)	1	00091457
6		Connecting clamp for longitudinal baffle connection		00080545
7		Plastic pin for longitudinal connection of two baffles in the lower area		00082538

Please order one fitting set per baffle.



4 Screw terminal with hook

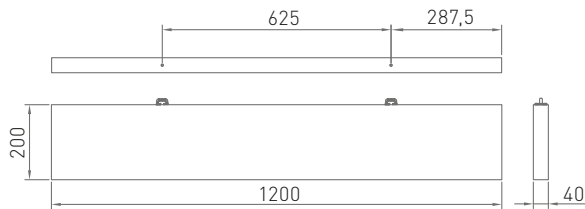


5 Spiral bolt with head geometry for suspension bracket

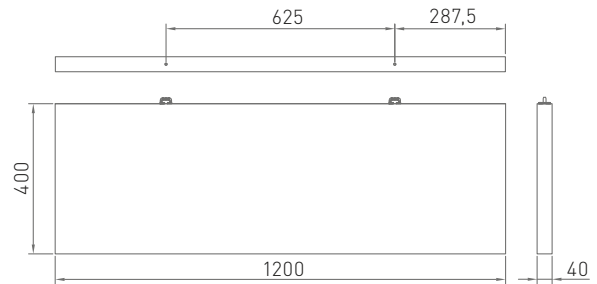
Ceiling installation – FreeStyle baffles with system S 3

1. Dimensions FreeStyle elements:

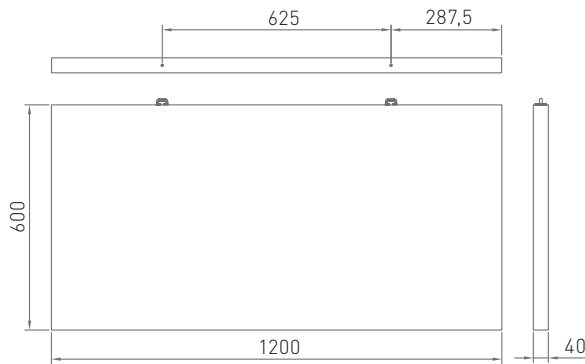
FreeStyle S



FreeStyle M

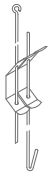


FreeStyle L



2. For the various sorts of soffits the following mounting accessories are recommended:

- Steel beam floor: for example WÜRTH ceiling dowels W-SD with external thread M6
- Timber floor: for example spax-countersunk screw 4 x 30 mm
- Gypsum ceiling: Officially approved drywall screws which has to be mounted in the supporting structure.



Suspension of the system S 3 from the raw ceiling is done with the quick hanger no. 12/XX/2.

Mounting set:



- 1 Stair bolt (zinc)
- 2 Screw terminal with hook
- 3 Entire assembly

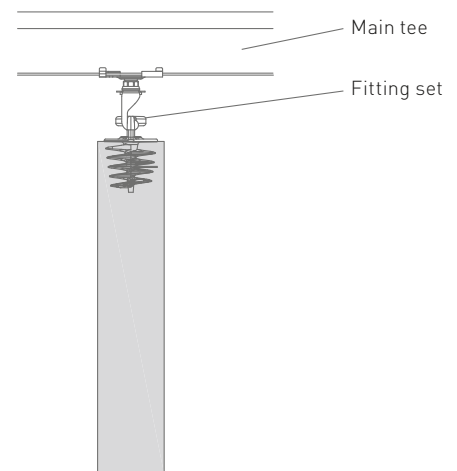
Ceiling installation – FreeStyle baffles with system S 3

- 3.** The stair bolt has to be screwed carefully at the marked position. With the six wrench flats, which are attached to the upper part of the housing, it is possible to attach and screw in with a cordless screwdriver and 9 mm socket with a maximum torque of between 2 and 4 NM.



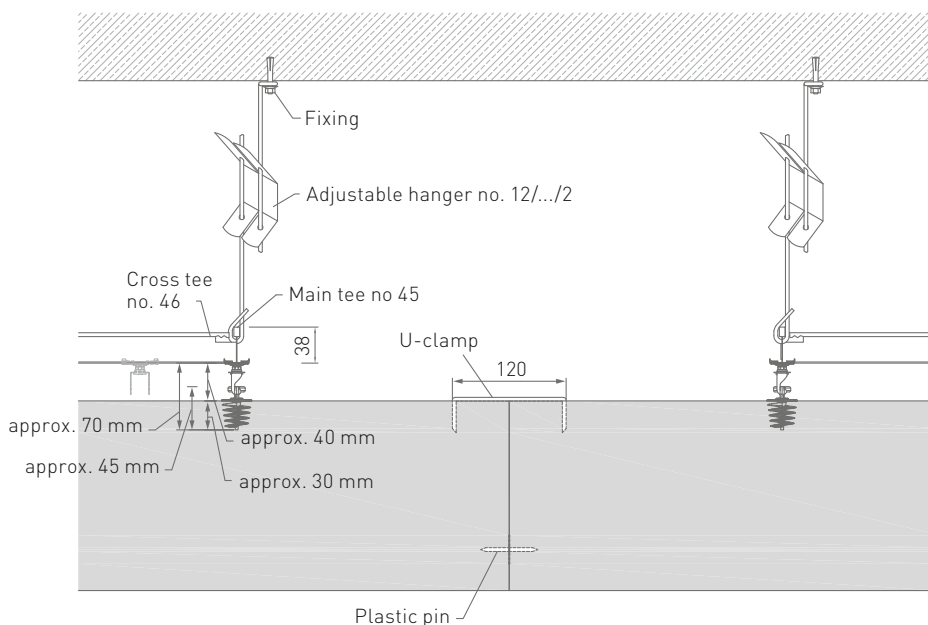
- 4.** Mounting the substructure:

At a centre distance of 625 mm, suspend 2 support main tee no. 45 with quick hangers No. 12/XX/2, aligned parallel and levelled. The maximum centre distance of the hangers is 1200 mm. Main tee no. 45, the short connecting profiles No. 46 are to be suspended and aligned at a centre distance of less than 1562.5 mm and align them. The fastening clips (from the installation set) are to be screwed on and adjusted to the desired the desired centre distance of the slats. The hanger bolts with the suspension clip must be mounted exactly opposite each other at the same distance on both rails. The hanger bolts (from the installation set) must be screwed into the marks on the top of the slats. Turn and hook them into the suspension clip of the fastening clip.



- 5.** End to end baffles:

If the baffles are butted together end to end, a plastic alignment pin no. 00082538 is required in the lower area and a connecting U-clamp no. 00080545 is inserted into the top face.





Die Beckhoff Welt und ihre Vordenker



PRODUCT: Ceiling canopy – Corpus
PROJECT: Beckhoff Automation, Verl
REGION: Germany

Ceiling canopy **Corpus**

Classical styling - individual design freedom Corpus

Corpus is unique, but at the same time highly functional. Modules with a fine, white fleece covered surface combine the avant-garde with classic design, thus giving every room an impressive elegance. The outstanding absorption qualities of each element ensures exemplary room acoustics. Varied module sizes enables designers to create a multitude of arrays and patterns. The installation can be complimented with Corpus LED lights for added drama.



Ceiling canopy – Corpus



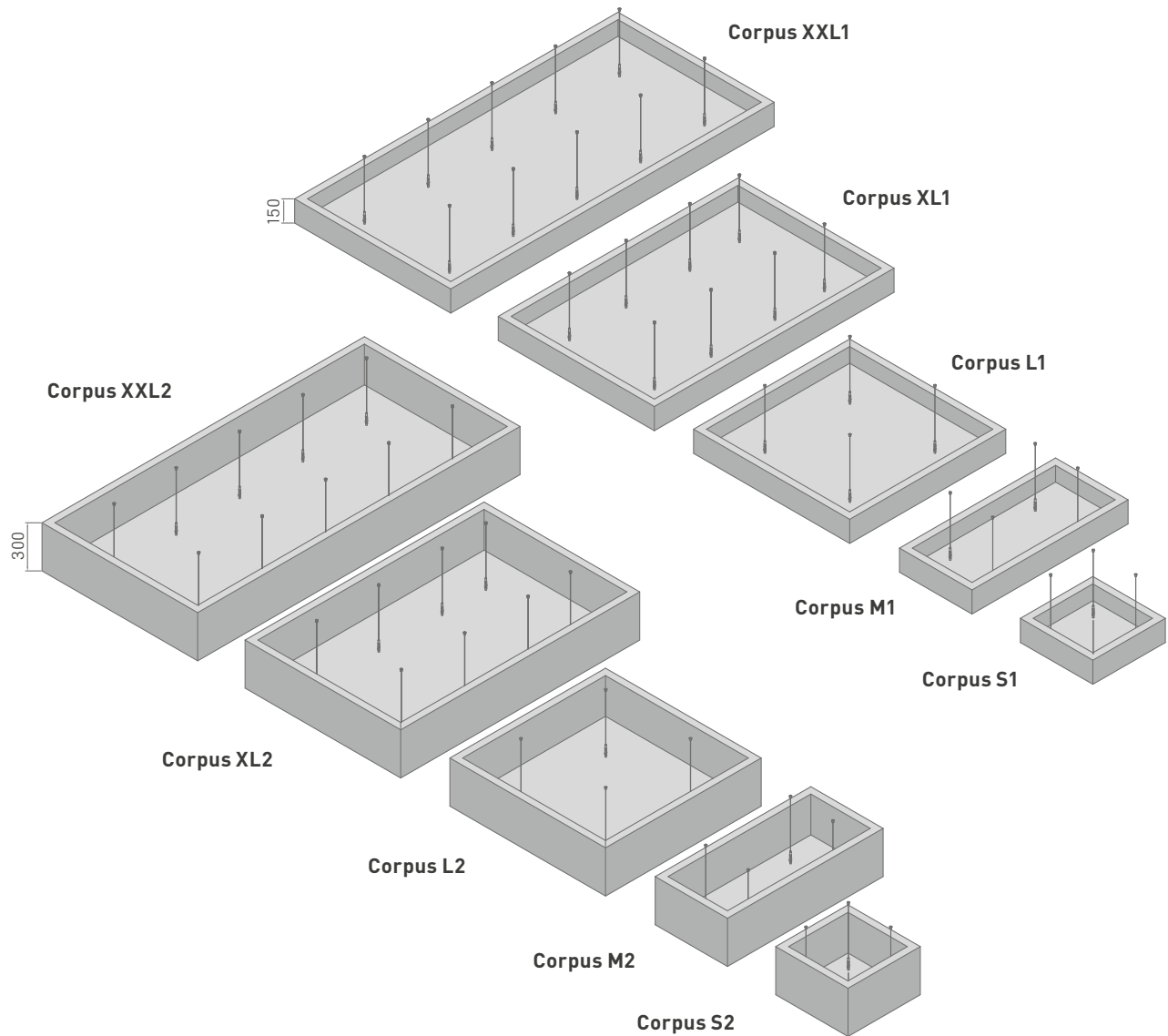
PRODUCT: Ceiling canopy – Corpus

PROJECT: Beckhoff Automation

REGION: Verl, Germany

Corpus

Corpus
white fleece



For more information on articles and prices, please see the [OWAconsult collection price list 1001 e.](#)

Corpus

Corpus

	Length	Width	Height	Thickness	Visible side	Weight	Part no.
Corpus S1	520 mm	520 mm	150 mm	40 mm	white fleece	approx. 2.2 kg	00074869
Corpus S2	520 mm	520 mm	300 mm	40 mm	white fleece	approx. 3.4 kg	00074870
Corpus M1	1120 mm	520 mm	150 mm	40 mm	white fleece	approx. 4.1 kg	00074871
Corpus M2	1120 mm	520 mm	300 mm	40 mm	white fleece	approx. 6.0 kg	00074872
Corpus L1	1120 mm	1120 mm	150 mm	40 mm	white fleece	approx. 7.3 kg	00074873
Corpus L2	1120 mm	1120 mm	300 mm	40 mm	white fleece	approx. 9.9 kg	00074874
Corpus XL1	1120 mm	1720 mm	150 mm	40 mm	white fleece	approx. 10.6 kg	00074875
Corpus XL2	1120 mm	1720 mm	300 mm	40 mm	white fleece	approx. 13.8 kg	00074876
Corpus XXL1	1120 mm	2320 mm	150 mm	40 mm	white fleece	approx. 13.8 kg	00074877
Corpus XXL2	1120 mm	2320 mm	300 mm	40 mm	white fleece	approx. 17.8 kg	00074878

Packing unit for all canopies: 1 piece per parcel | **The price includes the installation set.**

LED light - complete packages

	Length	Width	Height	Light colour	Rating	Ballast unit	Part no.	
Corpus Q1*	520 mm	520 mm	150 mm	4000 K	IP 20	LED drivers	SET-CORPUSQ1-4K	
LED-Panel	520 mm	520 mm	25 mm	4000 K		LED drivers	00079615	
Q1 diffuser	520 mm	520 mm	150 mm				00079259	
Suspension set	Set consists of wire rope, length 1500 mm, rope adjuster with safety hook, ceiling fastener M6							00080477
Corpus Q2*	520 mm	520 mm	300 mm	4000 K	IP 20	LED drivers	SET_CORPUSQ2-4K	
LED-Panel	520 mm	520 mm	25 mm	4000 K		LED drivers	00079615	
Q2 Diffusor	520 mm	520 mm	300 mm				00079260	
Suspension set	Set consists of wire rope, length 1500 mm, rope adjuster with safety hook, ceiling fastener M6							00080477
Corpus Q1*	520 mm	520 mm	150 mm	tunable white	IP 20	LED drivers	SET_CORPUSQ1-TW	
LED-Panel	520 mm	520 mm	25 mm	tunable white		LED drivers	00079258	
Q1 diffuser	520 mm	520 mm	150 mm				00079259	
Suspension set	Set consists of wire rope, length 1500 mm, rope adjuster with safety hook, ceiling fastener M6							00080477
Corpus Q2*	520 mm	520 mm	300 mm	tunable white	IP 20	LED drivers	SET-CORPUSQ2-TW	
LED-Panel	520 mm	520 mm	25 mm	tunable white		LED drivers	00079258	
Q2 Diffusor	520 mm	520 mm	300 mm				00079260	
Suspension set	Set consists of wire rope, length 1500 mm, rope adjuster with safety hook, ceiling fastener M6							00080477

* Consisting of LED-Panel, diffuser and suspension set, LED-Panel, diffusers and suspension sets do not have to be ordered separately, but are included the respective part number of the Corpus package. See [brochure 9630 e Integrated lighting](#).



Availability depending on region. For details please contact our Customer Service Team: Tel: +49 9373 201-0 | E-mail: info@owa.de

Technical data at a glance



Visible side	Fleece white
Edges	Fleece white
Edge detail	Straight edges, all the way round
Grid suspension	Incl. wire suspension, L = 1.5 m, ceiling fixing
Sound absorption	Sound absorption values, see page 94 - 97
Humidity resistance	Up to 90 % RH

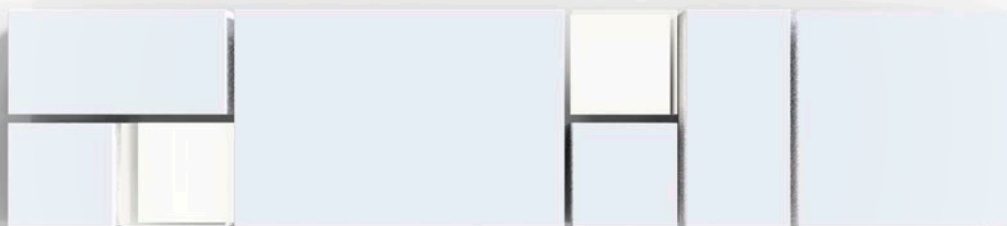
° Valid only for fleece white

Installation accessories – Corpus with wire suspension

The ceiling installation fixing sets are only approved for static loads, they are unsuitable for dynamic loads.

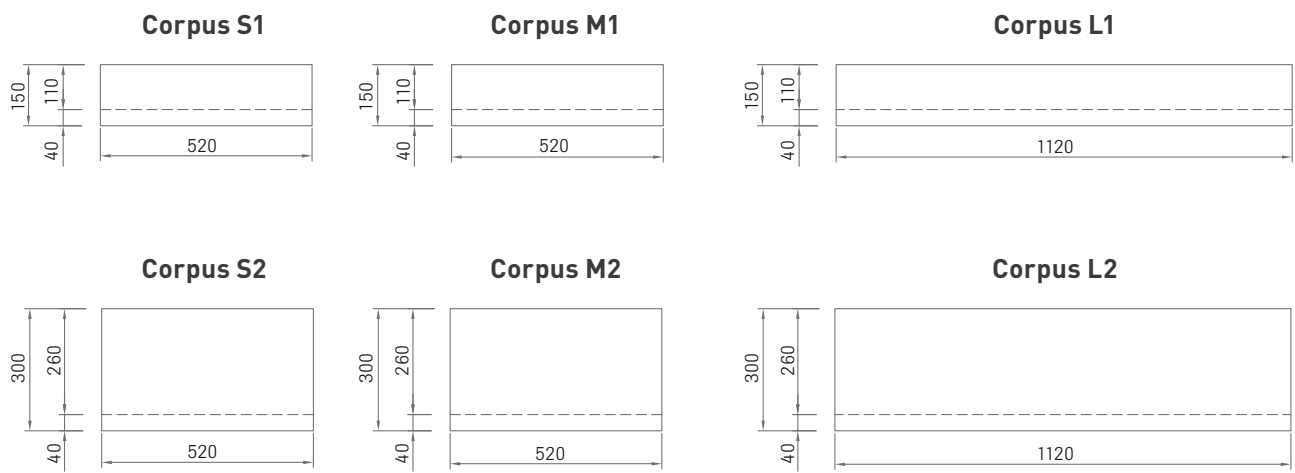
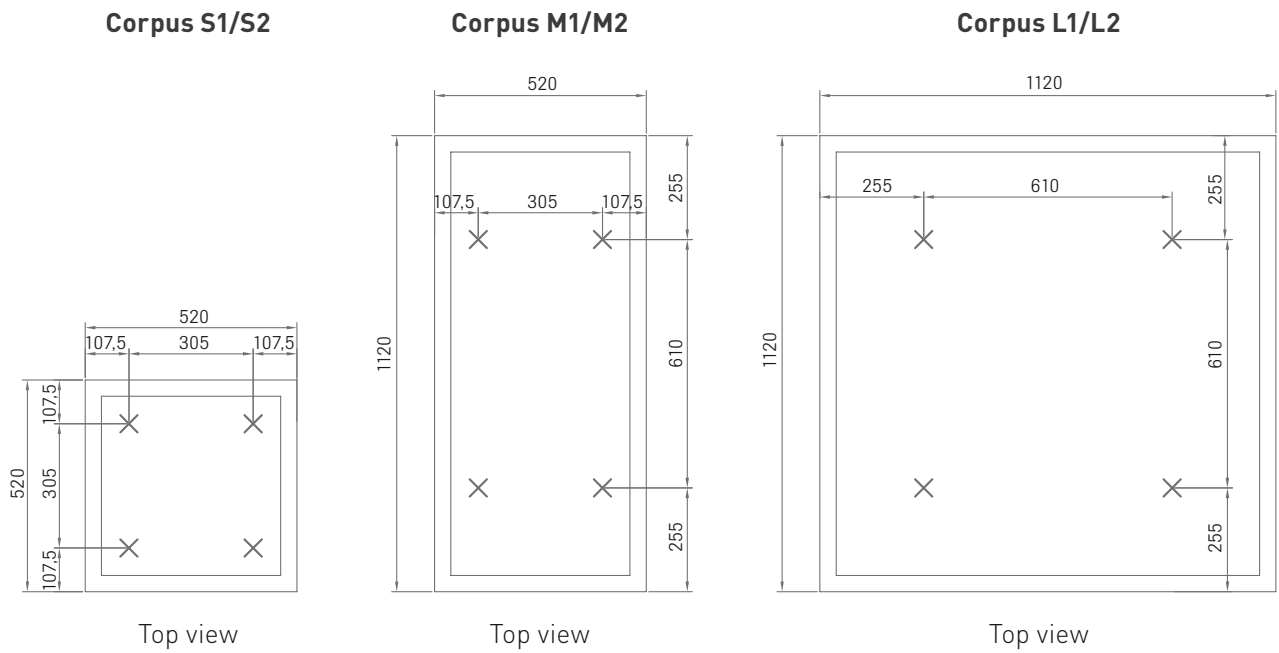
	Component description	Part no.
Corpus S1		
Corpus S2		
Corpus M1	1 x fitting set contains 4 pieces of wire ropes, length: 1500 mm, stair bolt with rope quick adjuster, ceiling fastener with internal thread M6; per canopy one fitting set is necessary	00082764
Corpus M2		
Corpus L1		
Corpus L2		
Corpus XL1	2 x fitting set contains 4 pieces of wire ropes, length: 1500 mm, stair bolt with rope quick adjuster, ceiling fastener with internal thread M6; per canopy one fitting set is necessary	00082764
Corpus XL2		
Corpus XXL1	1 x fitting set no. 00082764 and 1 x fitting set no. 00082763, containing 4 resp. 6 pieces of wire ropes, length: 1500 mm, stair bolt with rope quick adjuster, ceiling fastener with internal thread M6; per canopy one fitting set is necessary	00082764
Corpus XXL2		00082763

Please order one fitting set per canopy. **The price includes the installation set.**



Ceiling installation – Corpus with wire suspension

1. Back view of the canopies:
Each canopy has markings on it's back in the form of a cross.

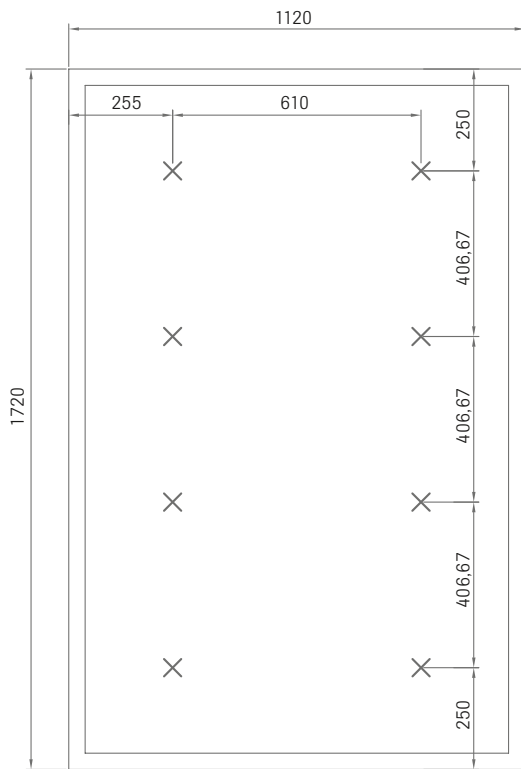


x = Marking for hanger

The distances between the fixing points must match the on-site anchor image on the soffit.

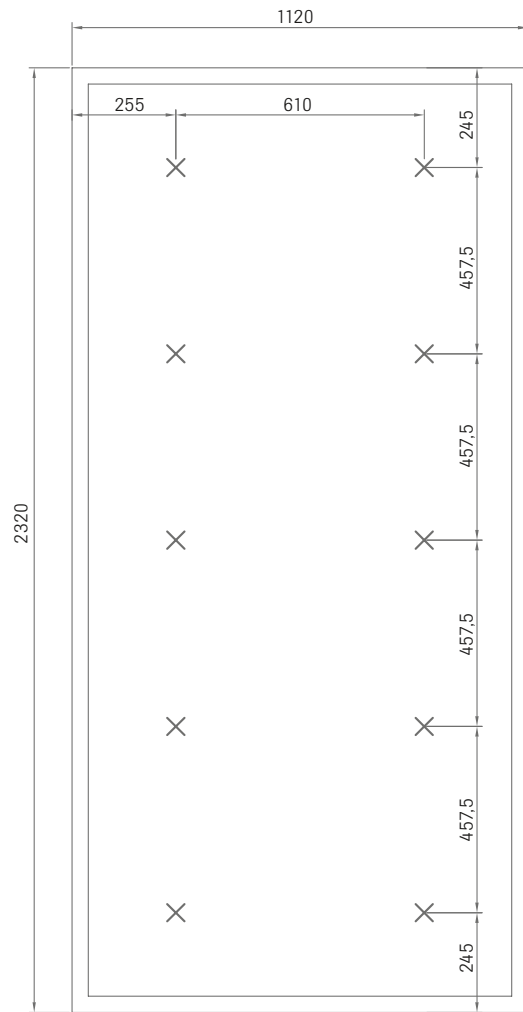
Ceiling installation – Corpus with wire suspension

Corpus XL1/XL2



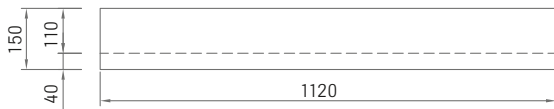
Top view

Corpus XXL1/XXL2

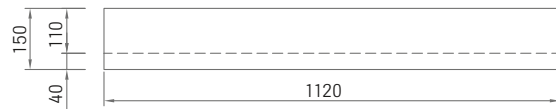


Top view

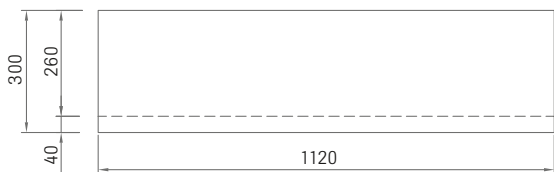
Corpus XL1



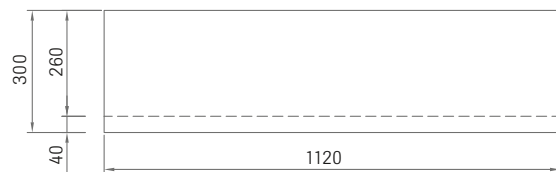
Corpus XXL1



Corpus XL2



Corpus XXL2



x = Marking for hanger

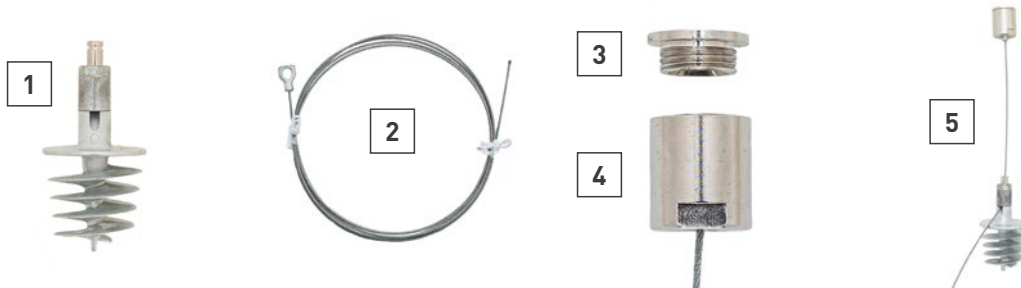
The distances between the fixing points must match the on-site anchor image on the soffit.

Ceiling installation – Corpus with wire suspension

2. For the various sorts of soffits the following mounting accessories are recommended:

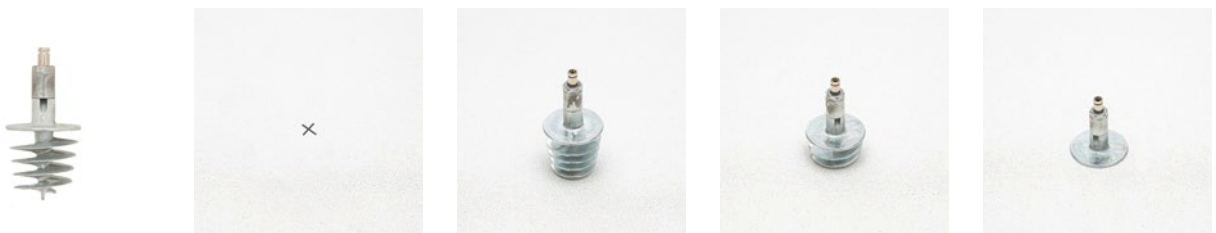
- Steel beam floor: for example WÜRTH ceiling dowels W-SD with external thread M6
- Timber floor: for example spax-countersunk screw 4 x 30 mm
- Gypsum ceiling: Officially approved drywall screws which has to be mounted in the supporting structure.

Mounting set:



- 1 Stair bolt (zinc) with rope quick adjuster
- 2 Wire rope (length 1500 mm) with drawbar eye ($\varnothing = 1.2$ mm, zinc plated)
- 3 Ceiling fastener (discus) with M13x1 outside thread and M6 inside thread, brass
- 4 Upper part (cylinder), 16 mm bundle diameter with M13x1 inside thread, brass
- 5 Entire assembly

3. The stair bolt with integrated rope quick adjuster has to be screwed carefully at the marked position. With the six wrench flats, which are attached to the upper part of the housing, it is possible to attach and screw in with a cordless screwdriver and 9 mm socket with a maximum torque of between 2 and 4 NM.



4. The open end of the wire rope has to be put through the lower part of the ceiling fastener (cylinder) from the top. Then the drawbar eye of the wire rope disappears in the ceiling fastener.



Ceiling installation – Corpus with wire suspension

5. The open end of the wire has to be mounted into the integrated rope quick adjuster of the stair bolt by depressing its small cylinder. Adjust the correspondent suspension height. Releasing the cylinder will fix the wire.



6. The upper part of the ceiling fastener (discus) has to be fixed to the raw ceiling using the recommended ancors according to the type of raw ceiling. See the corresponding fixing points at point 1. for that.



7. Screw the lower part of the ceiling fastener (cylinder), with threaded wire rope, into the mounted upper part of the ceiling fastener (discus).



8. Use the integrated rope quick adjuster of the stair bolt to revise the suspension height.



PRODUCT: Ceiling canopy – Cloud
PROJECT: Dr. Kade
REGION: Germany

Ceiling canopy **Cloud**

Every Cloud has a silver lining Cloud

A ceiling canopy like a cloud - varied baffle lengths, combined to form round shapes, that are as simple as they are effective. An arrangement of multiple interlocking Clouds, utilising both height variants, can create some interesting visual effects. A perfect solution for an interior, with a traditional ceiling or open soffit, requiring acoustic optimisation. An optional light makes the Cloud shine.



Ceiling canopy – Cloud



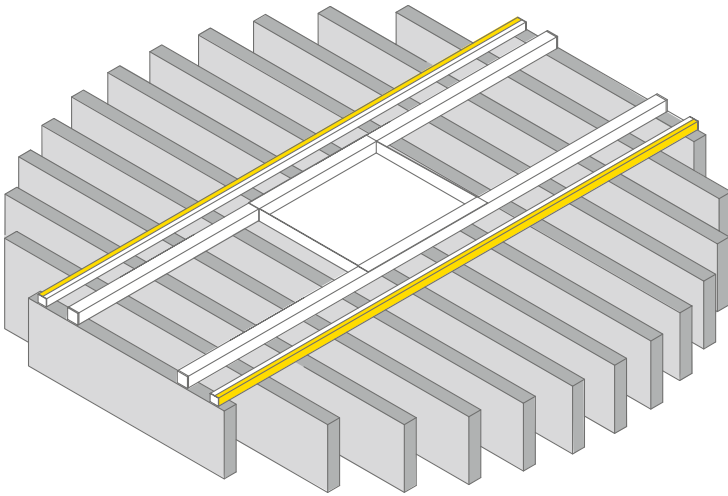
PRODUCT: Ceiling canopy – Cloud

PROJECT: Audi Trainings Center

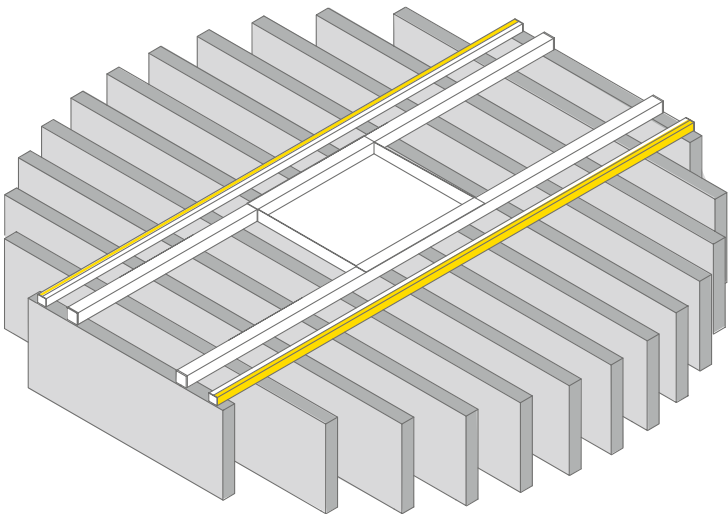
REGION: Munich, Germany

Cloud

Cloud 150
white fleece

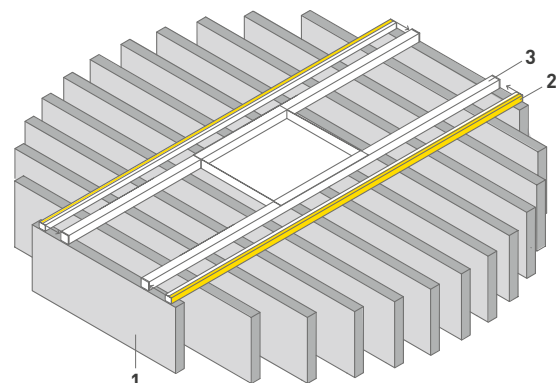
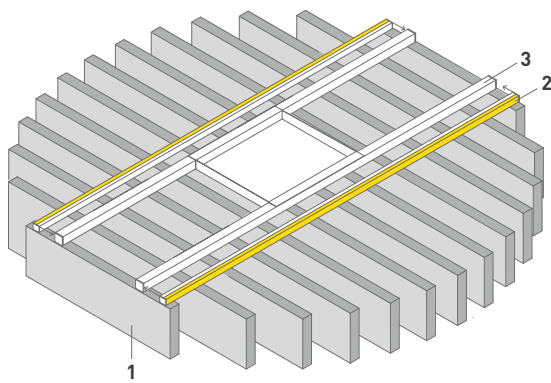


Cloud 200
white fleece



For more information on articles and prices, please see the [OWAconsult collection price list 1001 e.](#)

Cloud



1 Baffle tile package

Long edge/Short edge 3

	Length	Height	Thickness	Units	Weight	Part no.
Cloud 150	1295 mm	150 mm	30 mm	1	approx. 16 kg	00069107
	1280 mm	150 mm	30 mm	2		
	1230 mm	150 mm	30 mm	2		
	1150 mm	150 mm	30 mm	2		
	1020 mm	150 mm	30 mm	2		
	825 mm	150 mm	30 mm	2		
	500 mm	150 mm	30 mm	2		
Cloud 200	1295 mm	200 mm	30 mm	1	approx. 20 kg	00069108
	1280 mm	200 mm	30 mm	2		
	1230 mm	200 mm	30 mm	2		
	1150 mm	200 mm	30 mm	2		
	1020 mm	200 mm	30 mm	2		
	825 mm	200 mm	30 mm	2		
	500 mm	200 mm	30 mm	2		

Total number of baffles per package: 13 pieces. Sinfonia tile surface.

2 Cloud LED – light package Cloud – optional

Length	Width	Height	Light colour	Rating	Ballast unit	Performance	Units	Part no.
1160 mm	26 mm	24 mm	4000 K	IP 20	LED drivers	12 W/m	1	00080983
1160 mm	26 mm	24 mm	RGB*	IP 20	LED drivers	14.4 W/m	1	00080984
Power supply for LED light package neutral white (4000 K) + RGB (1 transformer for each light package)							1	00081767
RGB control unit (MASTER) incl. remote control							1	00077303
RGB repeater (SLAVE) (only with parallel connection)							1	00077301
Additional RGB remote control (optional)							1	00080982
Fastening clips with 2 holes each, plastic							4	

Package contains: 2 LED profiles, incl. the necessary cabling, 4 fastening clips.

* To connect the RGB light packages in parallel, one RGB control unit (MASTER) is required for the 1st light package and the remaining light packages are connected in parallel using an RGB repeater (SLAVE) for each additional light. See [brochure 9630 e Integrated lighting](#).

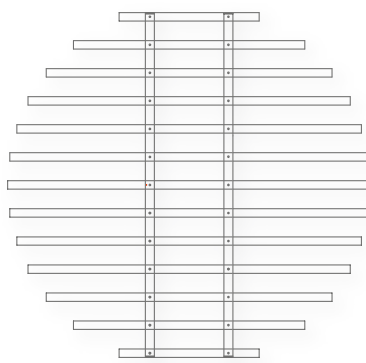
The LED profiles (2) are fastened to the square profiles of the Cloud design package (3) using the included fastening clips. Pass the ready-made cable through the square profile and connect it to the transformer. The transformer is placed on the body of the Cloud's hangar structure (3). Ask your electrical contractor to connect the Cloud to the power supply.

 Availability depending on region. For details please contact our Customer Service Team: Tel: +49 9373 201-0 | E-mail: info@owa.de

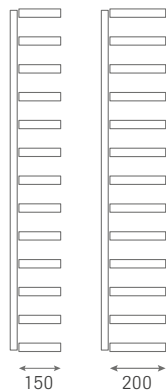


3 Cloud – construction package

Component description/surface	Units	Part no.
Square profile 25 x 25 x 2.0 mm, length: approx. 1220 mm, colour: white, fully assembled with connector bar	2 pieces	
Connector bar 305 x 200 x 1.0 mm, white	1 piece	
End cap for square tube, plastic plug, white	4 pieces	
Spacer sleeve M6 x 25 mm, white, for direct installation	4 pieces	00079587
Fixing plug. Ø 11.6 mm, white, for square profile keyholes	26 pieces	
Threaded sleeve M6 x 30 mm, for suspended installation	4 pieces	
M6 x 15 mm, zinc galvanized, for suspended installation	4 pieces	



Cloud 150|200



Section

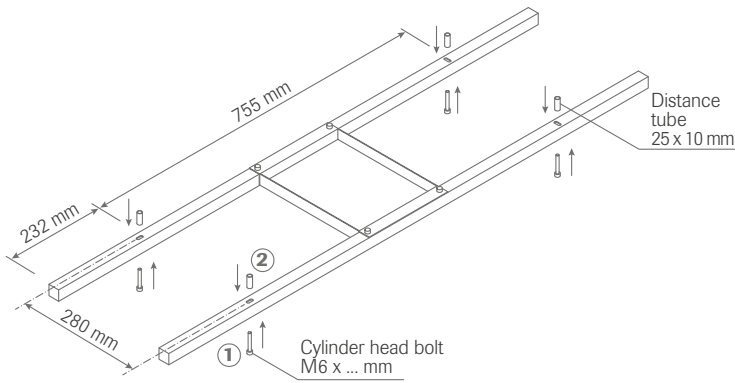
Technical data at a glance

Material	Mineral tile, fleece covered
Dessin	Sinfonia
Reaction fo fire	A2-s1,d0 in accordance with EN 13501-1
Edge	3
Colour	White
Sound absorption	Sound absorption values, see page 94 - 97
Humidity resistance	Up to 95 % RH
Metal system and weight	All metal parts galvanized or additionally coated white weight: approx. 3.0 kg
Minimum suspension height	From upper edge of baffle to lower edge of raw ceiling

Ceiling installation – Cloud

Mounting options:

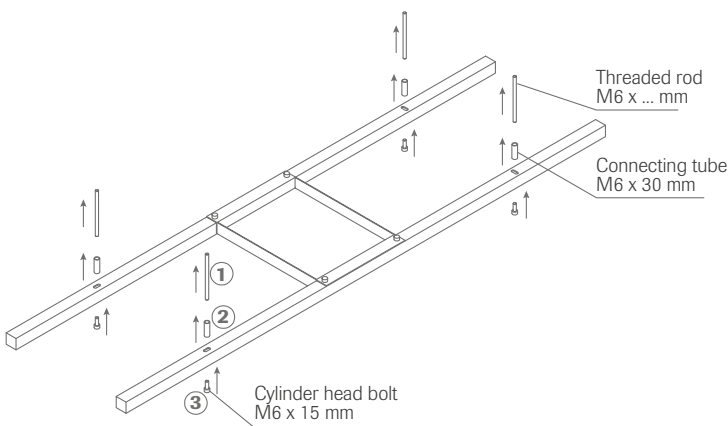
1. Direct installation of the sub construction:



1. Insert the cylinder head bolt from below through the key hole drilling (length of the bolt depends on the fixing material).
2. Stick the distance tube on the screw shaft.
3. Screw the bolt into the anchor.

Only generally approved fixing materials have to be provided directly on site by the contractor!

2. Suspended installation of the sub construction



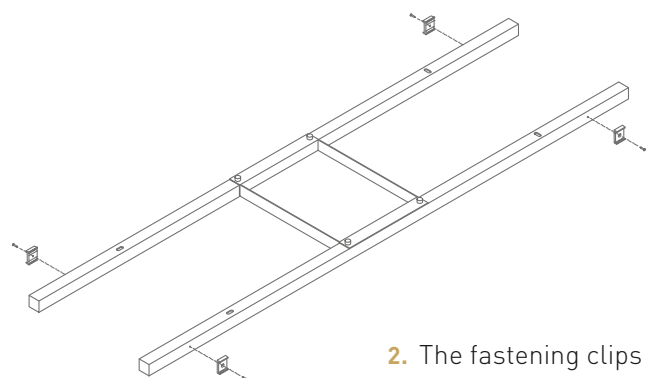
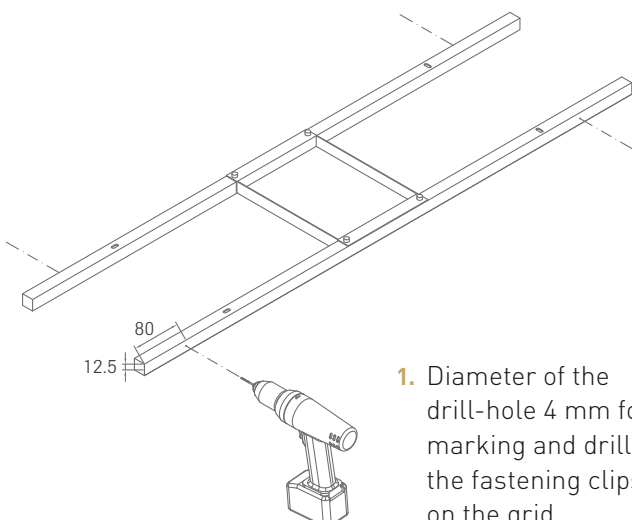
1. Insert the threaded rod into the fixing material.
2. The connecting tube has to be screwed up to the middle of the threaded rod.
3. Insert the cylinder head bolt from below through the key hole drilling and screw it into the connecting tube.

Only generally approved fixing materials and threaded rods have to be provided directly on site by the contractor!

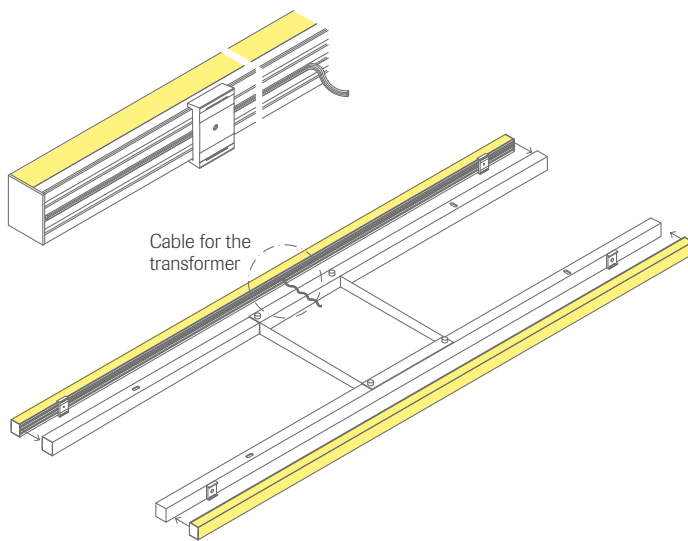
Important information: Suspension height for Cloud max. 400 mm. All the rest of them have to be suspended with an additional, nonspillable subconstruction.

Installation of the LED lighting package (optional):

Hint: The LED light package must be fitted before the baffles are inserted.

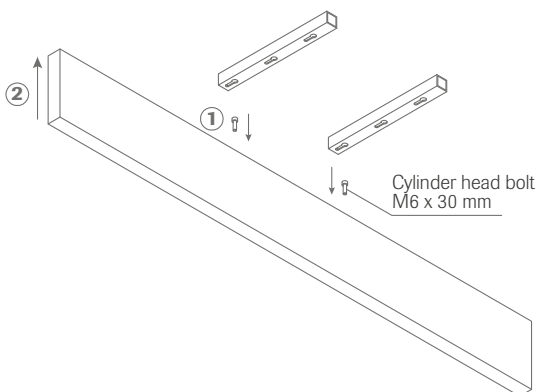


Ceiling installation – Cloud

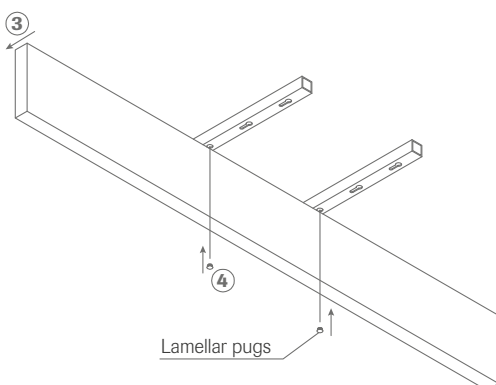


3. Fix the LED bars with their lower notch on the mounting clips and connect them. Connection of cables with the power transformer and electrical power supply must be done by an electrically skilled person. The cable must be pushed into the groove on the back. Put cable and power transformer on connector bar. Cable for connection to electrical power supply isn't included in LED lighting package.

Installation of the baffle tiles



1. Cylinder head bolt M6 x 30 mm are pre-assembled with each baffle tile.
2. Insert the baffle tile including the screw heads into the key hole drillings.



3. Move the screws into the slots of the key hole drillings by pushing the baffle tile.
4. Insert the plugs into the visible part of the key hole drillings.

Hint:

Please take into consideration that during the installation of the canopies wind pressure or wind suction can occur. In these cases all relevant measures of protection have to be taken.



PRODUCT: Ceiling canopy – Square
PROJECT: Ipsos MORI
REGION: London, UK

Ceiling canopy Square

Out in the open Square

Baffle illusion - as its name suggests, the canopy is square. However, from below, the different baffle heights and lengths within the assembly form an additional visible Trapezium shape. If several of these special ceiling canopies are arranged together, even more shapes and patterns are created as their number increases. Square optimises room acoustics where closed, suspended ceilings cannot be installed, e.g. In existing buildings or under ceilings with integrated functional systems. Complimented by the Square LED lighting package, Square also looks outstanding at night.



Ceiling canopy – Square



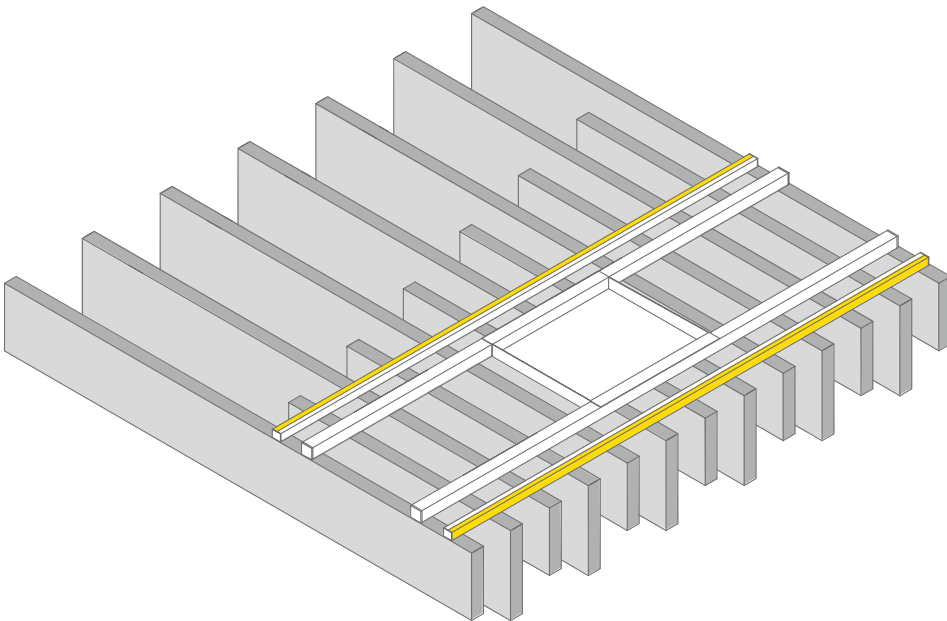
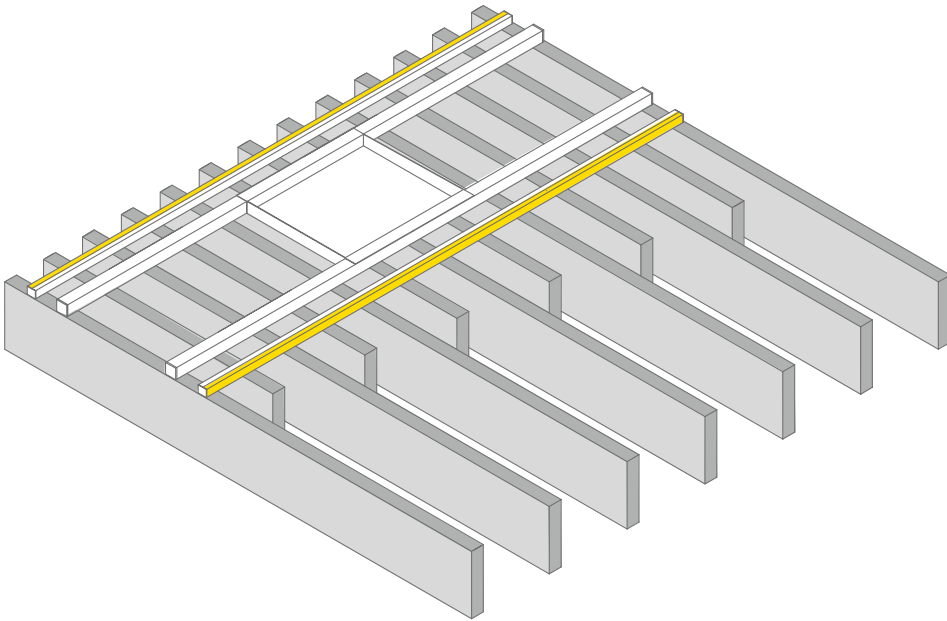
PRODUCT: Ceiling canopy – Square

PROJECT: Ipsos MORI

REGION: London, UK

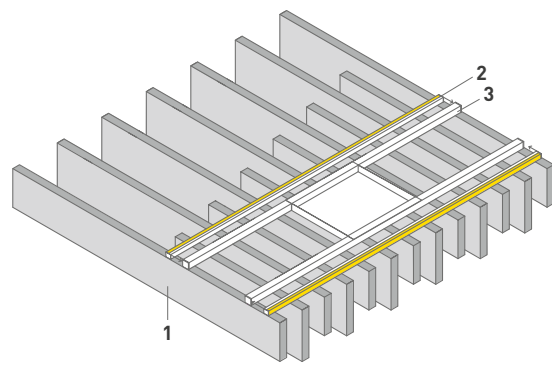
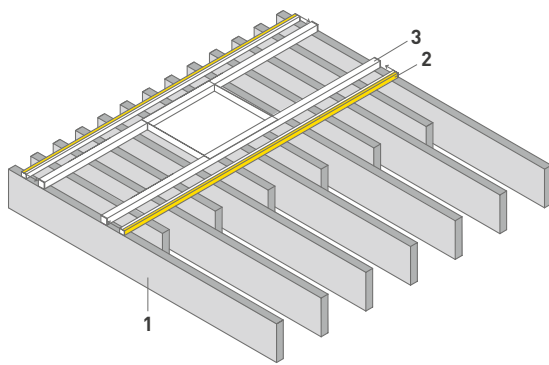
Square

Square white fleece



For more information on articles and prices, please see the [OWAconsult collection price list 1001 e.](#)

Square



1 Baffle tile package

Long edge/Short edge 3

Length	Height	Thickness	Units	Weight	Part no.
1200 mm	150 mm	30 mm	7	approx. 18.0 kg	00069106
830 mm	200 mm	30 mm	1		
780 mm	200 mm	30 mm	1		
730 mm	200 mm	30 mm	1		
675 mm	200 mm	30 mm	1		
620 mm	200 mm	30 mm	1		
570 mm	200 mm	30 mm	1		

Package content: 7 pieces, length: 1200 mm, 1 piece each of the shorter length; total number of baffles per package: 13 pieces. Sinfonia tile surface.

2 Square LED – light package Square – optional

Length	Width	Height	Light colour	Rating	Ballast unit	Performance	Units	Part no.
1160 mm	26 mm	24 mm	4000 K	IP 20	LED drivers	12 W/m	1	00080983
1160 mm	26 mm	24 mm	RGB *	IP 20	LED drivers	14.4 W/m	1	00080984
Power supply for LED light package neutral white (4000 K) + RGB (1 transformer for each light package)							1	00081767
RGB control unit (MASTER) incl. remote control							1	00077303
RGB repeater (SLAVE) (only with parallel connection)							1	00077301
Additional RGB remote control (optional)							1	00080982
Fastening clips with 2 holes each, plastic							4	

Package contains: 2 LED profiles, incl. the necessary cabling, 4 fastening clips.

* To connect the RGB light packages in parallel, one RGB control unit (MASTER) is required for the 1st light package and the remaining light packages are connected in parallel using an RGB repeater (SLAVE) for each additional light. See [brochure 9630 e Integrated lighting](#).

The LED profiles (2) are fastened to the square profiles of the Square design package (3) using the included fastening clips. Pass the ready-made cable through the square profile and connect it to the transformer. The transformer is placed on the body of the Square's hangar structure (3). Ask your electrical contractor to connect the Square to the power supply.



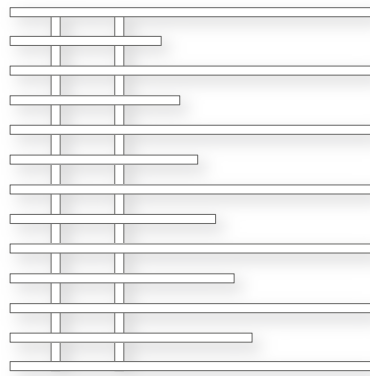
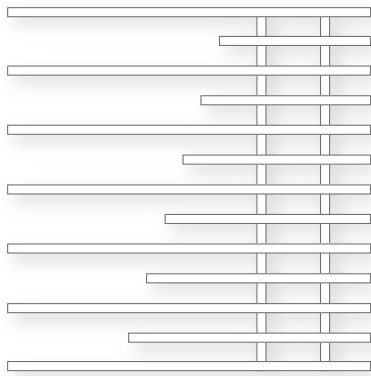
Availability depending on region. For details please contact our Customer Service Team: Tel: +49 9373 201-0 | E-mail: info@owa.de

3 Square – construction package



Component description/surface	Units	Part no.
Square profile 25 x 25 x 2.0 mm, length: approx. 1220 mm, colour: white, fully assembled with connector bar	2 pieces	
Connector bar 305 x 200 x 1.0 mm, white	1 piece	
End cap for square tube, plastic plug, white	4 pieces	
Spacer sleeve M6 x 25 mm, white, for direct installation	4 pieces	00079587
Fixing plug, Ø 11.6 mm, white, for square profile keyholes	26 pieces	
Threaded sleeve M6 x 30 mm, for suspended installation	4 pieces	
M6 x 15 mm, zinc galvanized, for suspended installation	4 pieces	

Square



150
200

Section

Square 150 | 200

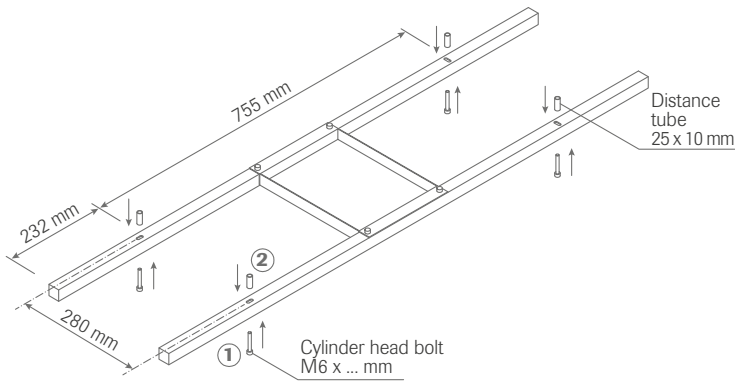
Technical data at a glance

Material	Mineral tile, fleece covered
Dessin	Sinfonia
Reaction fo fire	A2-s1,d0 in accordance with EN 13501-1
Edge	3
Colour	White
Sound absorption	Sound absorption values, see page 94 - 97
Humidity resistance	Up to 95 % RH
Metal system and weight	All metal parts galvanised or additionally coated white weight: approx. 3.0 kg
Minimum suspension height	From upper edge of baffle to lower edge of raw ceiling

Ceiling installation – Square

Mounting options:

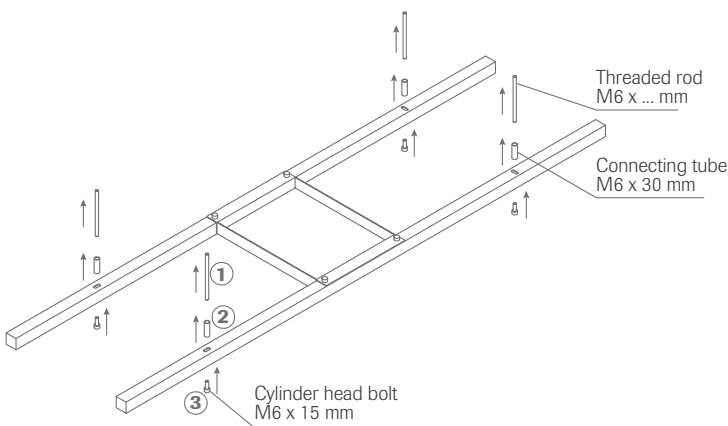
1. Direct installation of the sub construction:



1. Insert the cylinder head bolt from below through the key hole drilling (length of the bolt depends on the fixing material).
2. Stick the distance tube on the screw shaft.
3. Screw the bolt into the anchor.

Only generally approved fixing materials have to be provided directly on site by the contractor!

2. Suspended installation of the sub construction



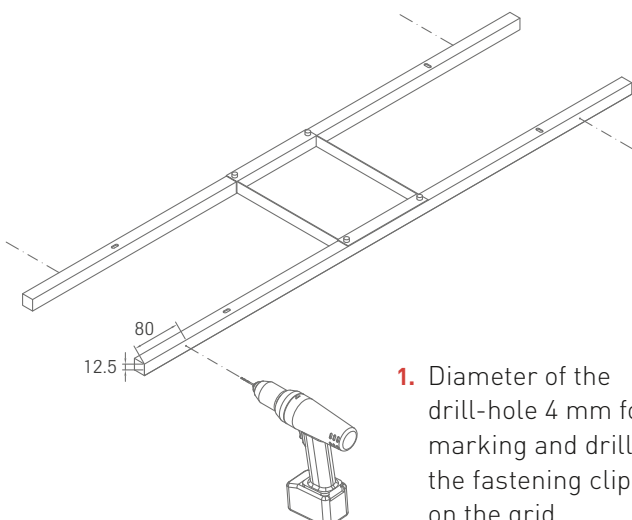
1. Insert the threaded rod into the fixing material.
2. The connecting tube has to be screwed up to the middle of the threaded rod.
3. Insert the cylinder head bolt from below through the key hole drilling and screw it into the connecting tube.

Only generally approved fixing materials and threaded rods have to be provided directly on site by the contractor!

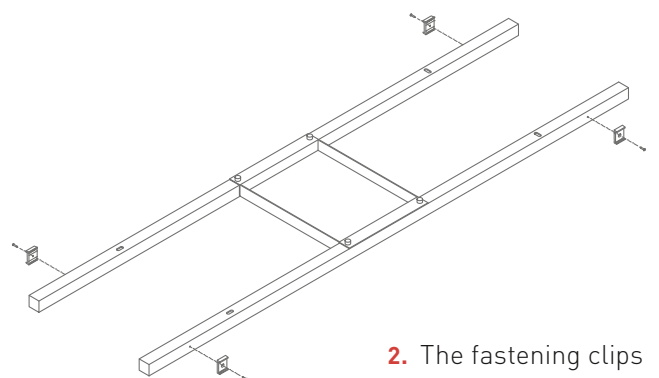
Important information: Suspension height for Square max. 400 mm. All the rest of them have to be suspended with an additional, nonspillable subconstruction.

Installation of the LED lighting package (optional):

Hint: The LED light package must be fitted before the baffles are inserted.

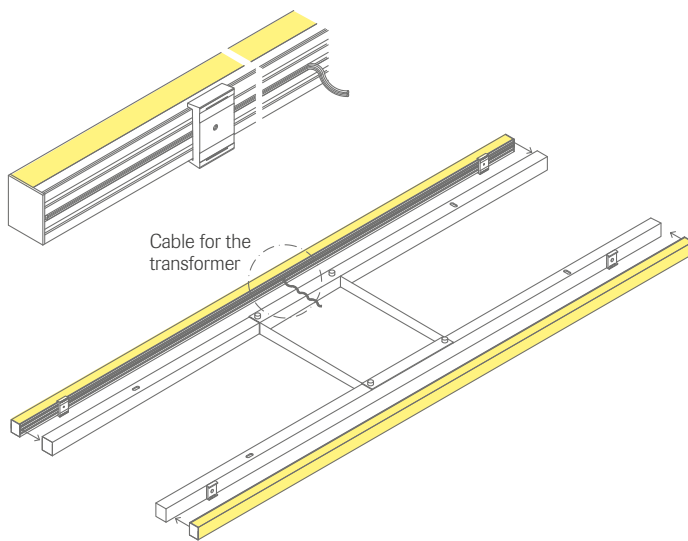


1. Diameter of the drill-hole 4 mm for marking and drilling the fastening clips on the grid.



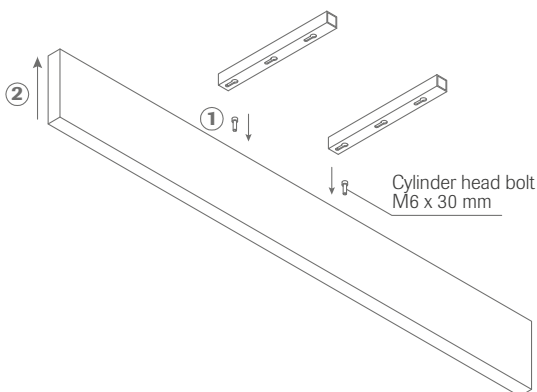
2. The fastening clips have to fix on the grid with the screws M4 x 18 mm.

Ceiling installation – Square

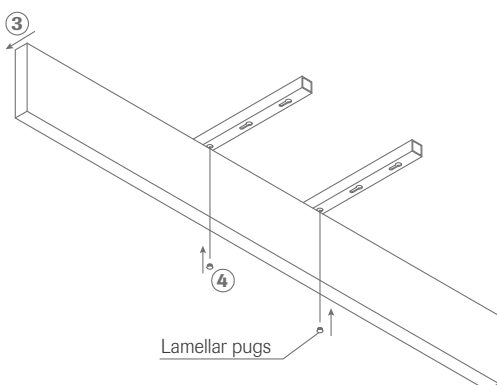


3. Fix the LED bars with their lower notch on the mounting clips and connect them. Connection of cables with the power transformer and electrical power supply must be done by an electrically skilled person. The cable must be pushed into the groove on the back. Put cable and power transformer on connector bar. Cable for connection to electrical power supply isn't included in LED lighting package.

Installation of the baffle tiles



1. Cylinder head bolt M6 x 30 mm are pre-assembled with each baffle tile.
2. Insert the baffle tile including the screw heads into the key hole drillings.



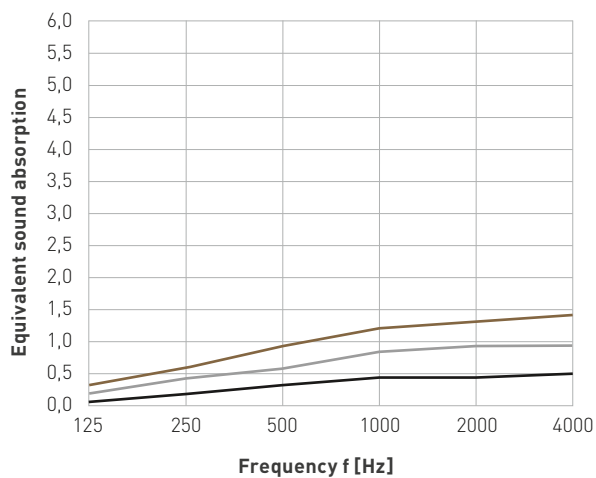
3. Move the screws into the slots of the key hole drillings by pushing the baffle tile.
4. Insert the plugs into the visible part of the key hole drillings.

Hint:

Please take into consideration that during the installation of the canopies wind pressure or wind suction can occur. In these cases all relevant measures of protection have to be taken.

Sound absorption figures overview

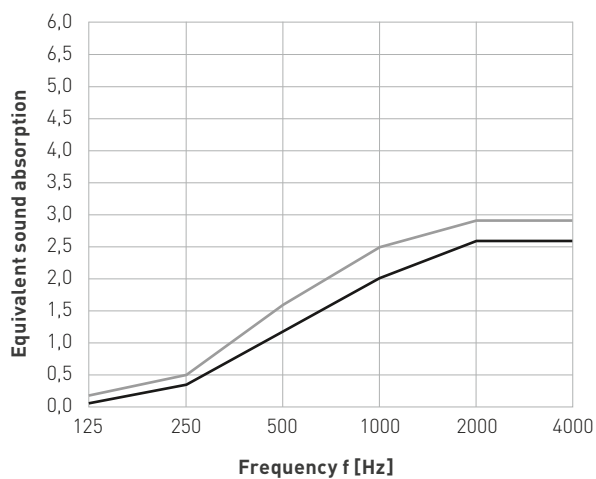
FreeStyle baffles



Freq. [Hz]	FreeStyle S A [m²]	FreeStyle M A [m²]	FreeStyle L A [m²]
125	0.10	0.20	0.30
250	0.20	0.40	0.60
500	0.30	0.60	0.90
1000	0.40	0.80	1.20
2000	0.40	0.90	1.30
4000	0.50	0.90	1.40

Hint: the values shown refer to a suspension height of 200 mm.

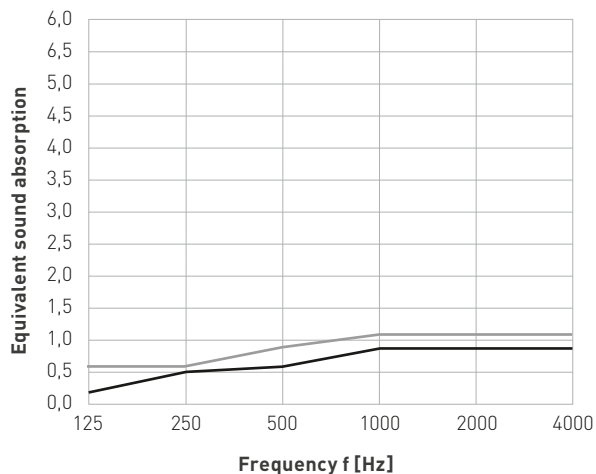
Cloud



Freq. [Hz]	Cloud 150 A [m²]	Cloud 200 A [m²]
125	0.10	0.20
250	0.30	0.50
500	1.20	1.60
1000	2.00	2.50
2000	2.60	2.90
4000	2.60	2.90

Hint: the values shown refer to a direct mounting to the ceiling

Corpus S

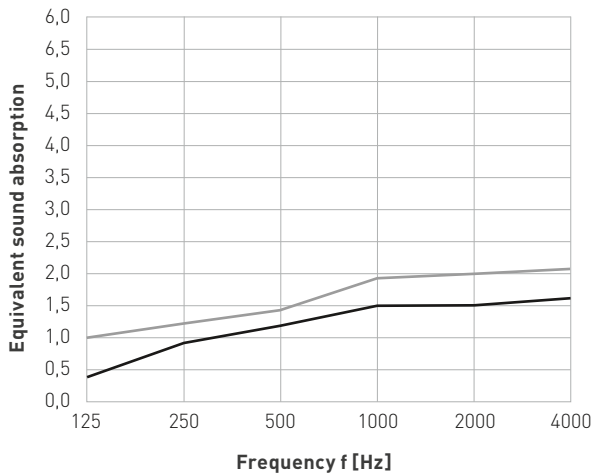


Freq. [Hz]	Corpus S1 A [m²]	Corpus S2 A [m²]
125	0.20	0.60
250	0.50	0.60
500	0.60	0.80
1000	0.80	1.10
2000	0.80	1.10
4000	0.80	1.10

Hint: the values shown refer to a suspension height of 200 mm.

Sound absorption figures overview

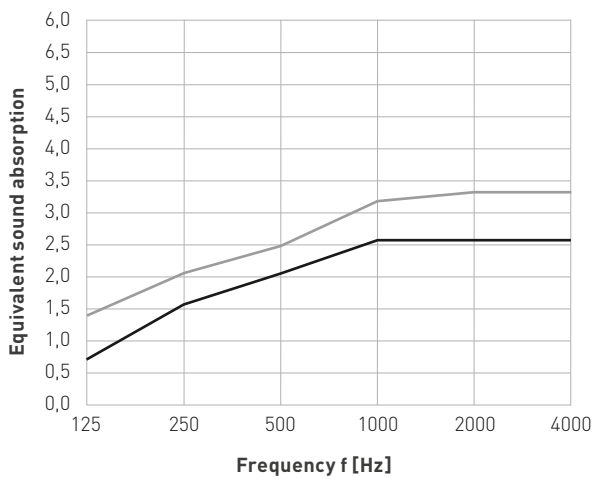
Corpus M



Freq. [Hz]	Corpus M1 A [m ²]	Corpus M2 A [m ²]
125	0.40	1.00
250	0.90	1.20
500	1.20	1.40
1000	1.50	1.90
2000	1.50	2.00
4000	1.60	2.10

Hint: the values shown refer to a suspension height of 200 mm.

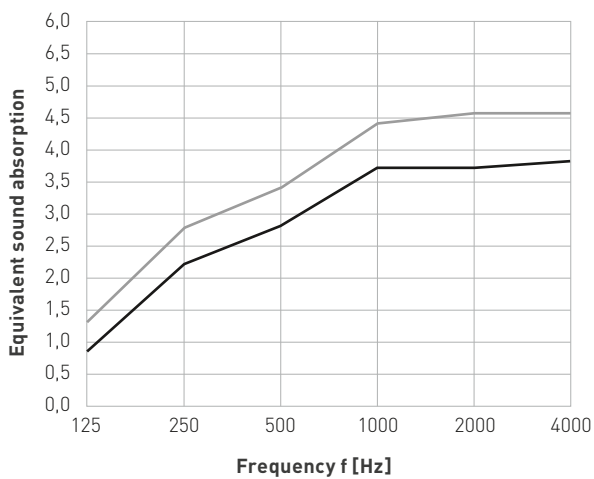
Corpus L



Freq. [Hz]	Corpus L1 A [m ²]	Corpus L2 A [m ²]
125	0.70	1.40
250	1.60	2.10
500	2.10	2.50
1000	2.60	3.20
2000	2.60	3.30
4000	2.60	3.30

Hint: the values shown refer to a suspension height of 200 mm.

Corpus XL

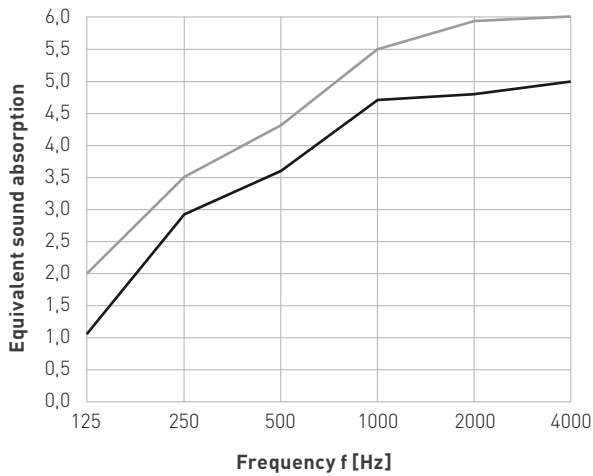


Freq. [Hz]	Corpus XL1 A [m ²]	Corpus XL2 A [m ²]
125	0.80	1.30
250	2.20	2.80
500	2.80	3.40
1000	3.70	4.40
2000	3.70	4.60
4000	3.80	4.60

Hint: the values shown refer to a suspension height of 200 mm.

Sound absorption figures overview

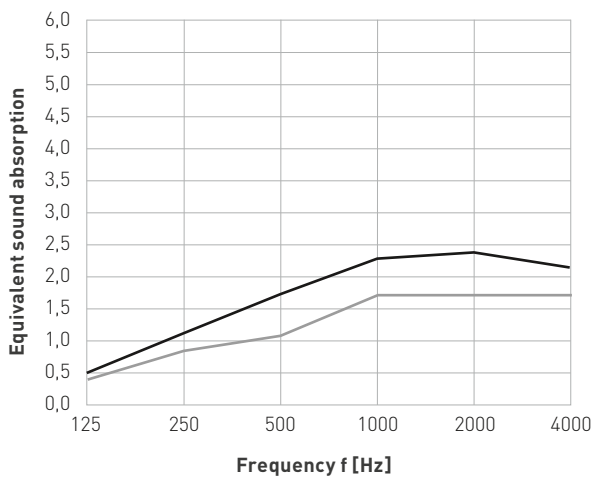
Corpus XXL



Freq. [Hz]	Corpus XXL1 A [m ²]	Corpus XXL2 A [m ²]
125	1.10	2.00
250	2.90	3.50
500	3.60	4.30
1000	4.70	5.50
2000	4.80	5.90
4000	5.00	6.00

Hint: the values shown refer to a suspension height of 200 mm.

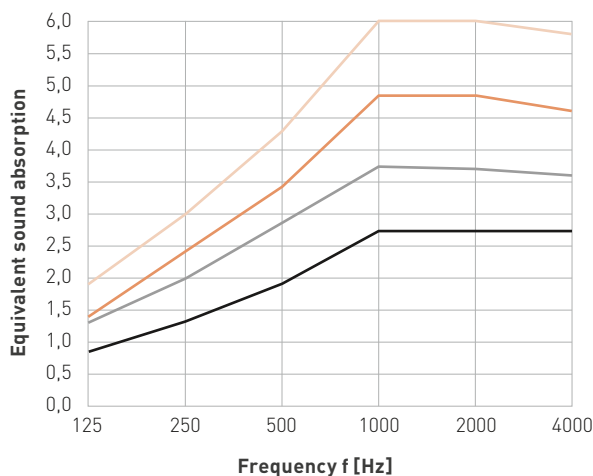
Curve 1 and Curve 2



Freq. [Hz]	Curve 1 A [m ²]	Curve 2 A [m ²]
125	0.50	0.40
250	1.10	0.80
500	1.70	1.10
1000	2.30	1.70
2000	2.40	1.70
4000	2.20	1.70

Hint: the values shown refer to a suspension height of 200 mm.

Selecta one, plus, grande and grande XL

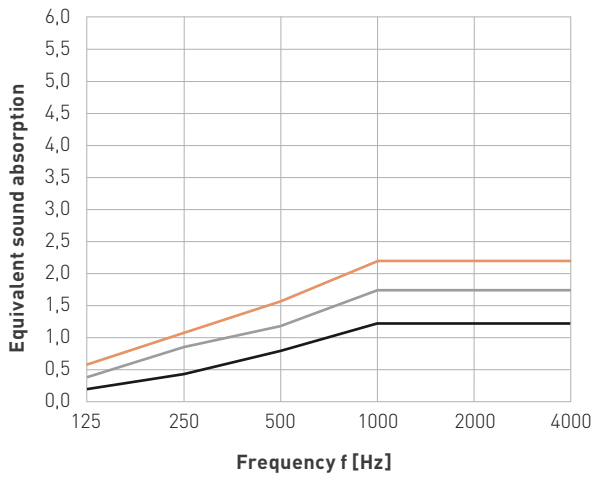


Freq. [Hz]	Selecta one A [m ²]	Selecta plus A [m ²]	Selecta grande A [m ²]	Selecta grande XL A [m ²]
125	0.80	1.30	1.40	1.90
250	1.30	2.00	2.40	3.00
500	1.90	2.80	3.40	4.30
1000	2.70	3.70	4.80	6.00
2000	2.70	3.70	4.80	6.00
4000	2.70	3.60	4.60	5.80

Hint: the values shown refer to a suspension height of 200 mm.

Sound absorption figures overview

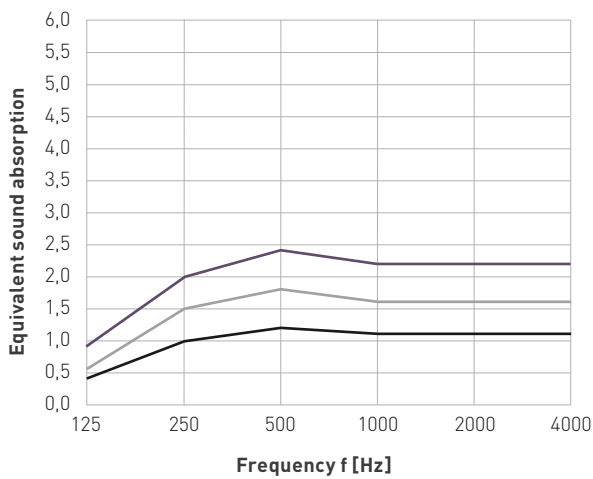
Selecta loop



Freq. [Hz]	Ø 800 mm A [m²]	Ø 1000 mm A [m²]	Ø 1200 mm A [m²]
125	0.20	0.40	0.60
250	0.40	0.80	1.10
500	0.80	1.20	1.60
1000	1.20	1.70	2.20
2000	1.20	1.70	2.20
4000	1.20	1.70	2.20

Hint: the values shown refer to a suspension height of 200 mm.

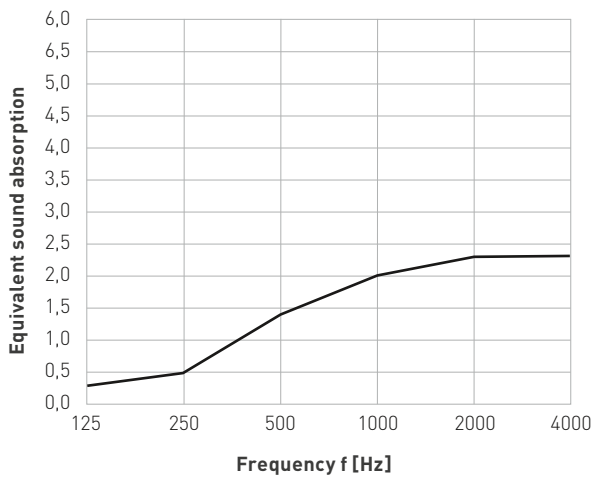
Selecta Metal one, plus and grande



Freq. [Hz]	Selecta Metal one A [m²]	Selecta Metal plus A [m²]	Selecta Metal grande A [m²]
125	0.40	0.60	0.90
250	1.00	1.50	2.00
500	1.20	1.80	2.40
1000	1.10	1.60	2.20
2000	1.10	1.60	2.20
4000	1.10	1.60	2.20

Hint: the values shown refer to a suspension height of 200 mm.

Square



Freq. [Hz]	Square A [m²]
125	0.30
250	0.50
500	1.40
1000	2.00
2000	2.30
4000	2.30

Hint: the values shown refer to a direct mounting to the ceiling

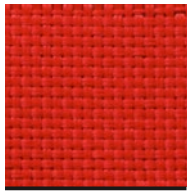


GRAINGEF

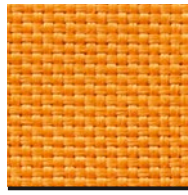
Fabric samples of the OWAcolor world of colours



52826 | Dark red



52827 | Red



52828 | Orange



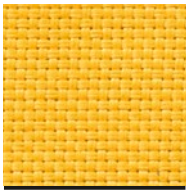
52829 | Dark brown



52830 | Black



52831 | Dark grey



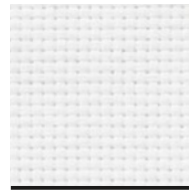
52832 | Yellow



52833 | Green-grey



52834 | Light grey



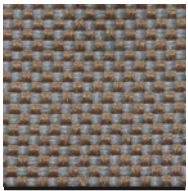
52835 | White



52836 | Light beige



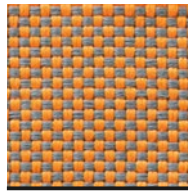
52837 | Medium brown



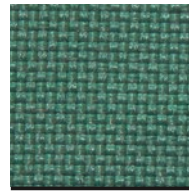
52838 | Mottled brown



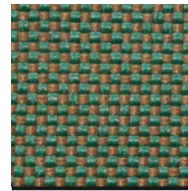
52839 | Grey



52840 | Mottled orange



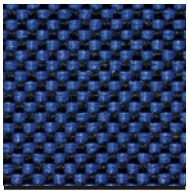
52841 | Petrol



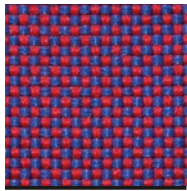
52842 | Mottled green



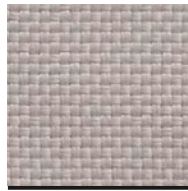
52843 | Blue



52844 | Midnight blue



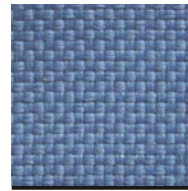
52845 | Violet



55244 | Stone grey



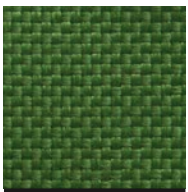
55245 | Olive green



55246 | Light blue



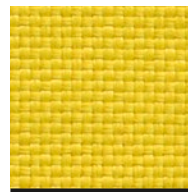
55247 | Mint green



55248 | Dark green



55249 | Grey-blue



55250 | Light yellow

Technical specifications

Composition	100 % polyester, FR ATY yarn
Weave	Panama
Weight	320 g/m ²
Width	1500 mm (+/- 50 mm)

www.owa-ceilings.co.uk



Certified Management Systems

Odenwald Faserplattenwerk GmbH
Dr.-F.-A.-Freundt-Straße 3 | 63916 Amorbach
tel +49 9373 201-0 | info@owa.de
www.owa.de

Die in dieser Broschüre enthaltenen Informationen entsprechen dem zum Zeitpunkt der Veröffentlichung aktuellen Stand. Druckfehler und Irrtümer vorbehalten. Für den konkreten Beratungsfall wenden Sie sich bitte an unser Kompetenzteam OWAconsult. Unsere Berater stehen Ihnen gerne für Ihre Fragen unter folgenden Kontaktdaten zur Verfügung:
tel: +49 9373 201-222 oder e-Mail: info@owaconsult.de